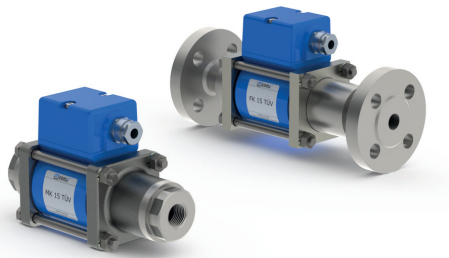


coax® data sheet - coaxial valve

type MK 15 TÜV
FK 15 TÜV



03/2022



⚠ Above stated body materials refer to the valve port connections that get in contact with the media only!

details needed

- orifice
- port
- function NC/NO
- operating pressure
- flow rate
- media
- media temperature
- ambient temperature
- nominal voltage

⚠ The valves' technical design is based on media and application requirements. This can lead to deviations from the general specifications shown on the data sheet with regards to the design, sealing materials and characteristics.

⚠ If order or application specifications are incomplete or imprecise there exists a risk of an incorrect technical design of the valve for the required application. As a consequence, the physical and / or chemical properties of the materials or seals used, may not be suitable for the intended application. To avoid hydraulic shocks in pipelines, the flow velocities must be taken into account when designing valves for liquids.

specifications not highlighted are standard
 specifications highlighted in grey are optional

2/2-way valve

pressure range

orifice

connection

function

direct acting

PN 0-40 bar

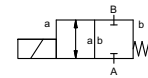
DN 15 mm

thread/flange

valve

normally closed

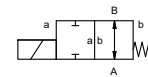
symbol **NC**



valve

normally open

symbol **NO**



operating principle

pressure balanced, with spring return

body material

⊙ TÜV (steel, galvanized)

valve seat

synthetic materials on metal

seal materials

FPM, PTFE

ports

MK threads G 3/8 - G 3/4
FK flanges PN 40

function

NC

options

NO

pressure range

bar 0-40

Kv value

m³/h 6,0

vacuum

leak rate

pressure-vacuum

P₁ ↔ P₂

back pressure

P₂ > P₁

media

liquid fuels

available (max. 16 bar)

abrasive media

damping

flow direction

A ↔ B as marked

switching cycles

1/min 200

switching time

ms opening 80
closing 80

media temperature

°C DC: -10 to +140

ambient temperature

°C DC: -10 to +60
AC: -10 to +60

limit switches

mechanical

manual override

approvals

TÜV DIN EN ISO 23553-1 + E DIN 32725

mounting

mounting brackets

weight

kg MK 3,8 FK 5,0

additional equipment

electrical specifications

options

nominal voltage

U_n DC 24 V +5%/-10%

actuation

U_n AC 230 V +5%/-10% 40-60 Hz

DC direct-current magnet

AC direct-current magnet with separate rectifier

insulating rating

H 180°C

protection

IP65

energized duty rating

ED 100%

connection

M16x1,5 terminal box

optional

additional equipment

N-coil

current consumption

H-coil DC 24 V 2,29 A
AC 230 V 40-60 Hz 0,24 A

explosion proof

limit switches

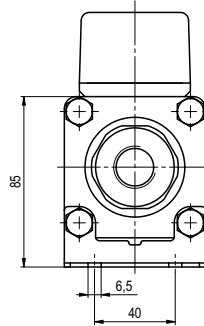
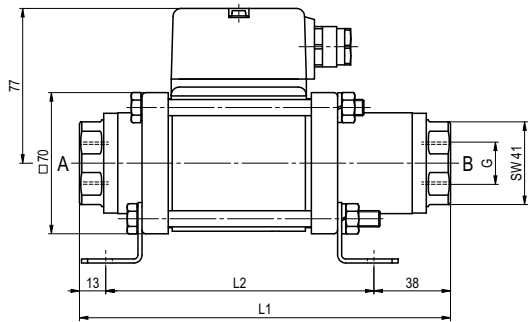
mechanical

single pole double throw-SPDT

coax® data sheet - coaxial valve

type MK 15 TÜV
FK 15 TÜV

function: **NC**
closed when not energized



constructive length	L1	L2	L3
standard	184	133	241
with mechanical limit switches	204	153	261

function: **NO**
open when not energized

