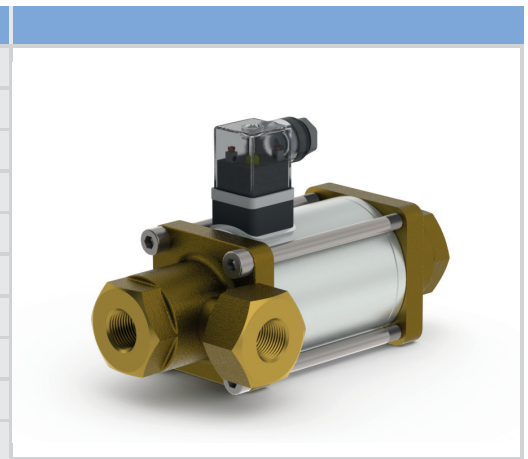
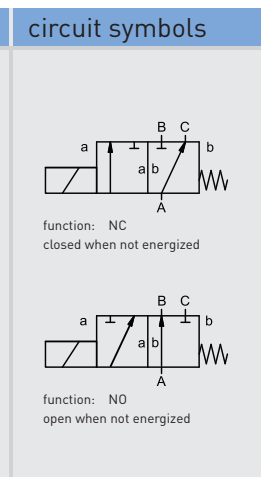
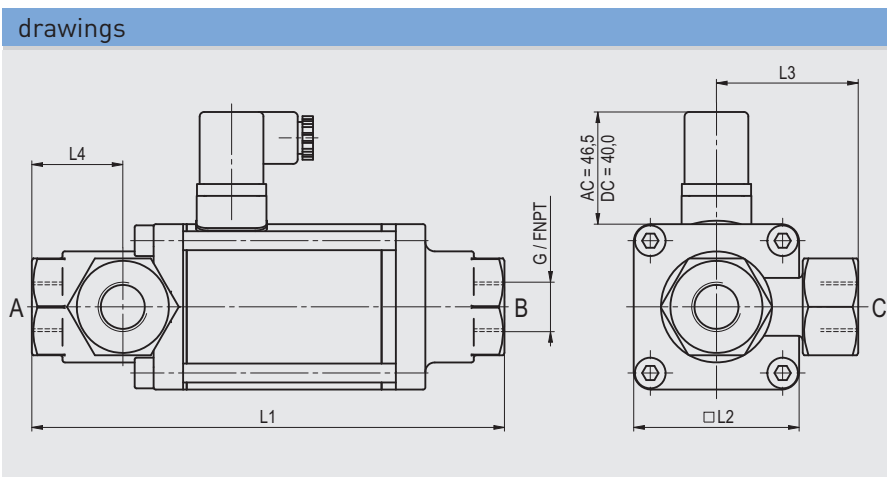


nominal specifications	
3/2-way coaxial valve	direct acting
pressure range	0-40 bar / 0-600 psi
connection	thread
function	NC - normally closed, flow A → C NO - normally open, flow A → B
design	pressure balanced, with spring return
body materials parts in contact with media	brass
seal materials seat / dynamic / static	FPM / PTFE / FPM customer to verify seal / seat compatibility with media
media	gaseous - liquid - highly viscous - gelatinous - contaminated
electrical connection	PG 9, plug acc. DIN EN 175301-803 form A, LED



technical data	CXD 10 DR	CXD 15 DR	CXD 20 DR	CXD 25 DR
orifice	DN 10	DN 15	DN 20	DN 25
threads	G 3/8 / FNPT 3/8	G 1/2 / FNPT 1/2	G 3/4 / FNPT 3/4	G 1 / FNPT 1
Kv-value A → B / A → C	2,2 m³/h / 1,6 m³/h	5,2 m³/h / 3,6 m³/h	7,5 m³/h / 5,6 m³/h	12,2 m³/h / 10,2 m³/h
media temperature	-20 °C to +100 °C	-20 °C to +100 °C	-20 °C to +100 °C	-20 °C to +100 °C
ambient temperature	-20 °C to +60 °C	-20 °C to +60 °C	-20 °C to +60 °C	-20 °C to +60 °C
switching time opening / closing	45 ms / 70 ms	60 ms / 130 ms	105 ms / 150 ms	150 ms / 190 ms
vacuum leak rate	< 10 ⁻⁴ mbar•l•s ⁻¹	< 10 ⁻⁴ mbar•l•s ⁻¹	< 10 ⁻⁴ mbar•l•s ⁻¹	< 10 ⁻⁴ mbar•l•s ⁻¹
flow direction	A → B / A → C B → A (Δp 12 bar max.)	A → B / A → C B → A (Δp 12 bar max.)	A → B / A → C B → A (Δp 12 bar max.)	A → B / A → C B → A (Δp 12 bar max.)
nominal voltage	DC 24 V AC 110 V / AC 230 V	DC 24 V AC 110 V / AC 230 V	DC 24 V AC 110 V / AC 230 V	DC 24 V AC 110 V / AC 230 V
current consumption	DC 1,45 A AC 0,36 A / AC 0,18 A	DC 2,1 A AC 0,41 A / AC 0,24 A	DC 2,2 A AC 0,56 A / AC 0,26 A	DC 2,5 A AC 0,62 A / AC 0,3 A
insulating rating	H	H	H	H
protection	IP 65	IP 65	IP 65	IP 65
energized duty rating	ED 100%	ED 100%	ED 100%	ED 100%
length L ₁ / L ₂	166 mm / 50 mm	200 mm / 70 mm	229 mm / 80 mm	249 mm / 90 mm
length L ₃ / L ₄	37 mm / 32 mm	60 mm / 38,5 mm	72 mm / 45,5 mm	80 mm / 48 mm
weight	2,0 kg / 4,41 lb	4,1 kg / 9,04 lb	6,0 kg / 13,23 lb	8,1 kg / 17,86 lb

accessories optional	order-codes			
mounting brackets stainless steel	1 3 4 5 7 5	1 3 4 5 7 6	1 3 4 5 7 7	1 3 4 5 7 8



valve order-code									
<table style="border: none;"> <tr> <td style="text-align: center;">9</td> <td style="text-align: center;">1</td> <td style="text-align: center;">1</td> </tr> <tr> <td style="text-align: center;">NC = 3 NO = 4</td> <td style="text-align: center;">AC 110 V = 1 AC 230 V = 3 DC 24 V = 4</td> <td></td> </tr> <tr> <td style="text-align: center;">DN 10 G 3/8 = 1 DN 10 FNPT 3/8 = 5 DN 15 G 1/2 = 2 DN 15 FNPT 1/2 = 6 DN 20 G 3/4 = 3 DN 20 FNPT 3/4 = 7 DN 25 G 1 = 4 DN 25 FNPT 1 = 8</td> <td></td> <td></td> </tr> </table>	9	1	1	NC = 3 NO = 4	AC 110 V = 1 AC 230 V = 3 DC 24 V = 4		DN 10 G 3/8 = 1 DN 10 FNPT 3/8 = 5 DN 15 G 1/2 = 2 DN 15 FNPT 1/2 = 6 DN 20 G 3/4 = 3 DN 20 FNPT 3/4 = 7 DN 25 G 1 = 4 DN 25 FNPT 1 = 8		
9	1	1							
NC = 3 NO = 4	AC 110 V = 1 AC 230 V = 3 DC 24 V = 4								
DN 10 G 3/8 = 1 DN 10 FNPT 3/8 = 5 DN 15 G 1/2 = 2 DN 15 FNPT 1/2 = 6 DN 20 G 3/4 = 3 DN 20 FNPT 3/4 = 7 DN 25 G 1 = 4 DN 25 FNPT 1 = 8									