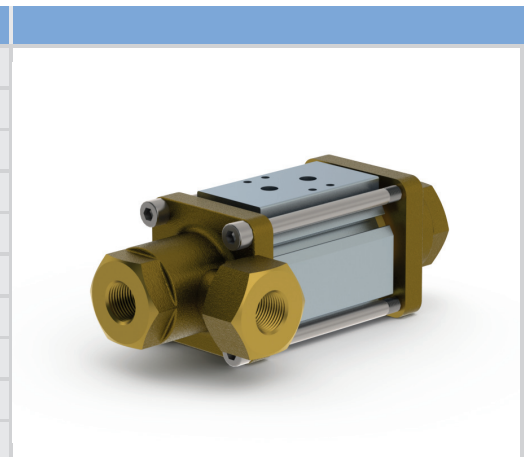


nominal specifications	
3/2-way coaxial valve	externally controlled
pressure range	0-40 bar / 0-600 psi
connection	thread
function	NC - normally closed, flow A → C NO - normally open, flow A → B
design	pressure balanced, with spring return
body materials parts in contact with media	brass
seal materials seat / dynamic / static	PTFE / FPM / FPM customer to verify seal / seat compatibility with media
media	gaseous - liquid - highly viscous - gelatinous - contaminated
actuator connection	G 1/8 / FNPT 1/8 with NAMUR pilot valve interface



technical data	CXF 10 DR	CXF 15 DR	CXF 20 DR	CXF 25 DR
orifice	DN 10	DN 15	DN 20	DN 25
threads	G 3/8 / FNPT 3/8	G 1/2 / FNPT 1/2	G 3/4 / FNPT 3/4	G 1 / FNPT 1
Kv-value A → B / A → C	2,2 m³/h / 1,9 m³/h	5,3 m³/h / 3,9 m³/h	9,4 m³/h / 6,7 m³/h	13,0 m³/h / 11,0 m³/h
media temperature	-20 °C to +100 °C	-20 °C to +100 °C	-20 °C to +100 °C	-20 °C to +100 °C
ambient temperature	-20 °C to +60 °C	-20 °C to +60 °C	-20 °C to +60 °C	-20 °C to +60 °C
pneumatic actuation	pilot valve optional	pilot valve optional	pilot valve optional	pilot valve optional
actuation pressure	4-8 bar / 60-120 psi	4-8 bar / 60-120 psi	4-8 bar / 60-120 psi	4-8 bar / 60-120 psi
switching time opening	120 ms to 3000 ms	140 ms to 3000 ms	160 ms to 3000 ms	200 ms to 3000 ms
switching time closing	200 ms to 3000 ms	240 ms to 3000 ms	240 ms to 3000 ms	280 ms to 3000 ms
vacuum leak rate	< 10 ⁻⁴ mbar•l•s ⁻¹	< 10 ⁻⁴ mbar•l•s ⁻¹	< 10 ⁻⁴ mbar•l•s ⁻¹	< 10 ⁻⁴ mbar•l•s ⁻¹
flow direction	A → B / A → C B → A	A → B / A → C B → A	A → B / A → C B → A	A → B / A → C B → A
length L1 / L2	166 mm / 50 mm	200 mm / 70 mm	229 mm / 80 mm	249 mm / 90 mm
length L3 / L4	37 mm / 32 mm	60 mm / 38,5 mm	72 mm / 45,5 mm	80 mm / 48 mm
weight without pilot valve	1,5 kg / 3,31 lb	3,0 kg / 6,61 lb	4,4 kg / 9,70 lb	6,1 kg / 13,45 lb

accessories optional	order-codes			
5/2 way pilot valve NAMUR DC 24 V	1 3 4 5 7 9	1 3 4 5 7 9	1 3 4 5 7 9	1 3 4 5 7 9
5/2 way pilot valve NAMUR AC 110 V	1 3 4 5 8 1	1 3 4 5 8 1	1 3 4 5 8 1	1 3 4 5 8 1
5/2 way pilot valve NAMUR AC 230 V	1 3 4 5 8 0	1 3 4 5 8 0	1 3 4 5 8 0	1 3 4 5 8 0
mounting brackets stainless steel	1 3 4 5 7 5	1 3 4 5 7 6	1 3 4 5 7 7	1 3 4 5 7 8
limit switch REED (AC/DC 10-30 V)	1 3 4 5 7 4	1 3 4 5 7 4	1 3 4 5 7 4	1 3 4 5 7 4

drawings	circuit symbols	valve order-code
	<p>function: NC closed when not energized</p> <p>function: NO open when not energized</p>	<p>9 8 3 1</p> <p>NC = 7 NO = 8</p> <p>DN 10 G 3/8 = 1 DN 10 FNPT 3/8 = 5 DN 15 G 1/2 = 2 DN 15 FNPT 1/2 = 6 DN 20 G 3/4 = 3 DN 20 FNPT 3/4 = 7 DN 25 G 1 = 4 DN 25 FNPT 1 = 8</p>