


coaxial valve

type Cryaxx - thread type



coaxial valve	bare shaft
pressure range	PN 0-63 bar
size	DN 25 - 50 mm
connection	threads

 Above stated body materials refer to the valve port connections that get in contact with the media only!

body materials	stainless steel
valve seat materials	synthetic resin on metal
seal materials	PTFE / ECTFE


inconell


details needed

- size
- pipe connection
- operating pressure
- flow rate
- Δp
- closing time
- media
- process temperature
- outside temperature

general specifications

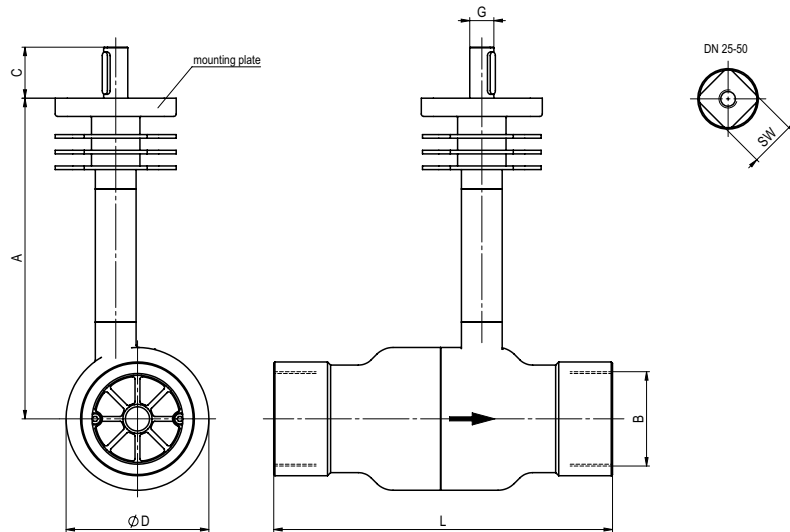
pipe connection	threads	G (optional NPT)
function	NC / NO / DA	depending upon actuator
pressure range	body pressure	0 bis 40 bar (DN 25 to 63 bar)
Kv value	m ³ /h	see table
leakage rate		1 DIN 3230 A DIN EN 12266 BS 6364 Fire safe (option)
preferred flow direction	A ⇌ B	as marked
switching time	s	DN/100
process- and outside temperature	standard	- 255 °C to + 80 °C
	with special materials	- 255 °C to + 150 °C
limit switches		option
approvals		PED / Fire safe / BAM / TA Luft / ATEX in further
weight	kg	see table
additional equipment		upon request

 The valves' technical design is based on media and application requirements. This can lead to deviations from the general specifications shown on the data sheet with regards to the design, sealing materials and characteristics.

 If order or application specifications are incomplete or imprecise there exists a risk of an incorrect technical design of the valve for the required application. As a consequence, the physical and / or chemical properties of the materials or seals used, may not be suitable for the intended application.

- specifications not highlighted are standard
- specifications highlighted in grey are optional

Type Cryaxx - thread type



size	(mm) (inch)	25	32	40	50	
pipe cl to mounting plate		A	156	156	190	220
connecting thread		B	G 1	G 1 ¼	G 1 ½	G2
bare shaft length		C	9,5	9,5	9,5	16
housing diameter		D	45	60	72	85
mounting plate F ISO 5211	(others on request)	F	F03-F05	F03-F05	F03-F05	F07
spindle		G	SW9	SW9	SW9	SW11
constructive length		L	185	200	220	240
kv value	(m³/h)		10	16	24	34
cv value	(gal/min)		12	19	28	40
weight	(kg)		1,1	1,4	2,2	3

The application-specific layout relating to temperature, pressure conditions, switching behavior, media and its consistency may restrict the range of use or necessitate relevant modifications to materials used and seal arrangements.

Rights reserved to make technical alterations • Not responsible for printing errors • Detailed drawings can be obtained upon request