

08/2021



**⚠** Above stated body materials refer to the valve port connections that get in contact with the media only!

**details needed for main valve**

- orifice
- port
- pressure regulating range
- flow rate
- media
- media temperature
- ambient temperature

**details needed for pneumatic actuation**

- nominal voltage
- type of protection
- actuation pressure range min/max

**⚠** The valves' technical design is based on media and application requirements. This can lead to deviations from the general specifications shown on the data sheet with regards to the design, sealing materials and characteristics.

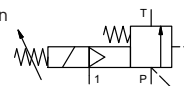
**⚠** If order or application specifications are incomplete or imprecise there exists a risk of an incorrect technical design of the valve for the required application. As a consequence, the physical and / or chemical properties of the materials or seals used, may not be suitable for the intended application.

**control valve manual**

- pressure range**
- orifice**
- connection**
- function**

**externally controlled**

- PN 5-120 bar
- DN 15 mm
- thread
- stepless pressure regulation



**design**

**body materials**

- externally controlled with spring return
- ① ④
- ② steel galvanized ⑤
- ③ ⑥

**valve seat**

metal on metal

**seal materials**

FPM, PTFE

**ports**

HPB threads G 1 SAE connections DIN ISO 6162

**function**

stepless pressure regulation

**pressure regulation range**

bar 5-120

**flow rate**

m³/h 6,0

**media**

liquid - highly viscous - contaminated

**abrasive media**

P ⇒ T as marked

**flow direction**

ms < 900

**settling time**

°C 0 to +60

**media temperature**

°C 0 to +50

**ambient temperature**

**approvals**

mounting holes

**mounting**

kg 2,6

**weight**

security valve

**additional equipment**

**nominal voltage**

U<sub>n</sub> DC 24 V special voltage upon request

**power consumption**

U<sub>n</sub> AC 230 V 50 Hz special voltage upon request

**protection**

DC 4,8 W 2,5 W

**energized duty rating**

AC pick up 11,0 VA holding 8,5 VA

**connection**

IP65 (P54) acc. DIN 40050

**optional**

ED 100%

**additional equipment**

plug acc. DIN EN 175301-803 form B, 3 positions x90° / wire diameter 6-8 mm

**max. temperature**

M12x1 connector acc. DESINA connector acc. VDMA

**explosion proof**

media 60°C

ambient 50°C

E Ex e II T5 nominal voltage U<sub>n</sub> DC 24 V 3,25 W

power consumption AC 230 V 50 Hz 2,90 W

**actuation pressure range**

bar see actuation pressure-diagram

**compressed air**

DIN ISO 8573-1 grade of compressed air quality 5/4/3

**control**

preferably 3/2 way pilot valve during low pressure circulation mode

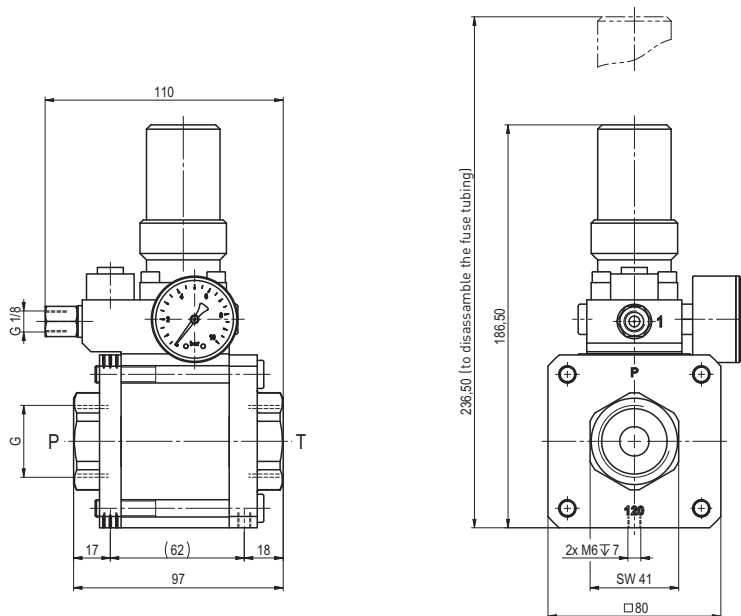
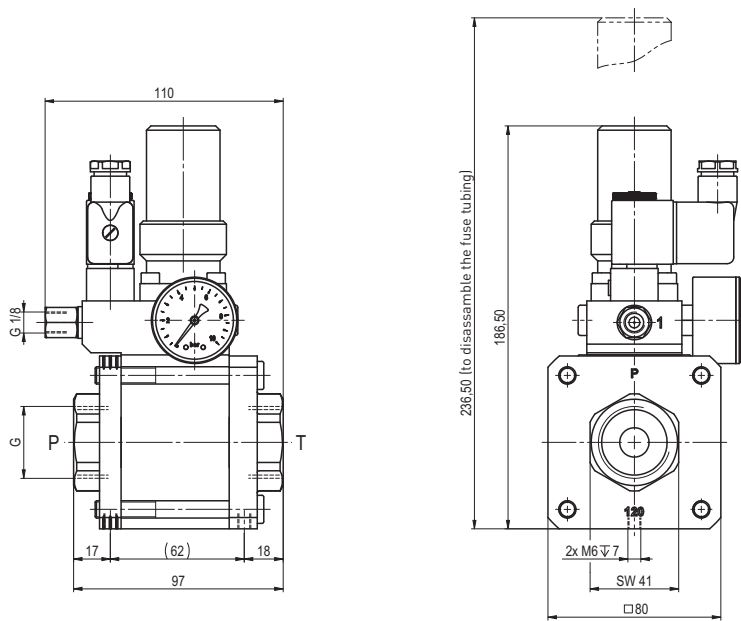
**actuator ports**

1 G 1/8

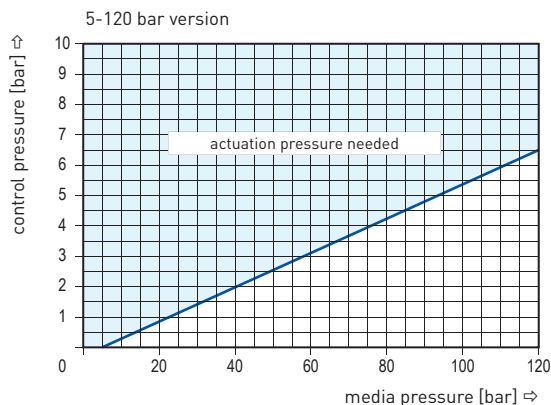
■ specifications not highlighted are standard  
 ■ specifications highlighted in grey are optional

# coax® data sheet - pressure limitation valve

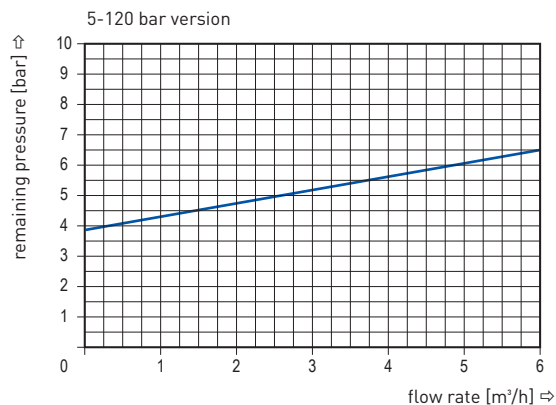
type HPB-H 15



## actuation pressure-diagram



## pressureless circulation mode



Sound creation during low pressure circulation mode and flow  $Q=6 \text{ m}^3/\text{h}$  ca. 70 dbA