

08/2021



⚠ Above stated body materials refer to the valve port connections that get in contact with the media only!

details needed

- orifice
- port
- function NC/NO
- operating pressure
- flow rate
- media
- media temperature
- ambient temperature
- nominal voltage

⚠ The valves' technical design is based on media and application requirements. This can lead to deviations from the general specifications shown on the data sheet with regards to the design, sealing materials and characteristics.

⚠ If order or application specifications are incomplete or imprecise there exists a risk of an incorrect technical design of the valve for the required application. As a consequence, the physical and / or chemical properties of the materials or seals used, may not be suitable for the intended application.

2/2-way valve

pressure range

orifice

connection

function

direct acting

PN 0-40 bar

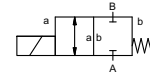
DN 10 mm

thread

valve

normally closed

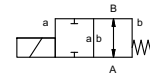
symbol **NC**



valve

normally open

symbol **NO**



design

body materials

pressure balanced, with spring return

Ⓢ TÜV (brass)

valve seat

synthetic resin on metal

seal materials

FPM, PTFE

ports

MK threads G 1/4 - G 3/4

function

NC

NO

pressure range

0-40

Kv value

m³/h 2,5

vacuum

leak rate

pressure-vacuum

P₁ ↔ P₂

back pressure

P₂ > P₁

media

liquid fuels

available (max. 16 bar)

abrasive media

opening

damping

closing

flow direction

A ↔ B as marked

switching cycles

1/min 200

switching time

ms opening 135
closing 20

media temperature

°C DC: -10 to +140

ambient temperature

°C AC: -10 to +140
DC: -10 to +60
AC: -10 to +60

limit switches

TÜV DIN EN ISO 23553-1 + E DIN 32725

manual override

approvals

mounting brackets

mounting

weight

kg MK 1,7

additional equipment

electrical specifications

options

nominal voltage

U_n DC 24 V +5%/-10%

U_n AC 230 V +5%/-10% 40-60 Hz

actuation

DC direct-current magnet

AC direct-current magnet with integrated rectifier

insulating rating

H 180°C

protection

IP65

energized duty rating

ED 100%

connection

plug acc. DIN EN 175301-803 form A, 4 positions x90° / wire diameter 6-8 mm

optional

additional equipment

N-coil DC 24 V 1,33 A
AC 230 V 40-60 Hz 0,14 A

current consumption

explosion proof

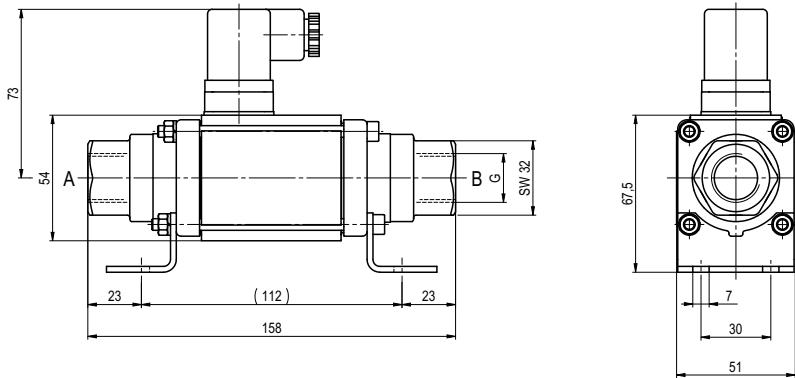
limit switches

■ specifications not highlighted are standard
■ specifications highlighted in grey are optional

coax® data sheet - coaxial valve

type MK 10 TÜV

function: **NC**
closed when not energized



function: **NO**
open when not energized

