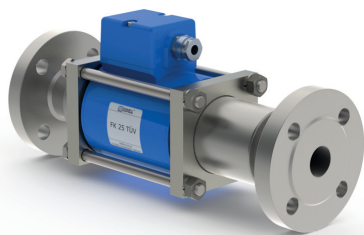


08/2021



⚠ Above stated body materials refer to the valve port connections that get in contact with the media only!

details needed

- orifice
- port
- function NC
- operating pressure
- flow rate
- media
- media temperature
- ambient temperature
- nominal voltage

⚠ The valves' technical design is based on media and application requirements. This can lead to deviations from the general specifications shown on the data sheet with regards to the design, sealing materials and characteristics.

⚠ If order or application specifications are incomplete or imprecise there exists a risk of an incorrect technical design of the valve for the required application. As a consequence, the physical and / or chemical properties of the materials or seals used, may not be suitable for the intended application.

2/2-way valve

pressure range

orifice

connection

function

direct acting

PN 0-40 bar

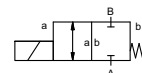
DN 25 mm

flange

valve

normally closed

symbol **NC**



design

body materials

pressure balanced, with spring return

Ⓞ TÜV (steel, galvanized)

valve seat

seal materials

synthetic resin on metal

FPM, PTFE

ports

function

pressure range

Kv value

vacuum

pressure-vacuum

back pressure

media

general specifications

FK flanges PN 40

bar 0-40

m³/h 13,0

leak rate

P₁ ↔ P₂

P₂ > P₁

liquid fuels

options

available (max. 16 bar)

abrasive media

damping

flow direction

switching cycles

switching time

media temperature

ambient temperature

limit switches

manual override

approvals

mounting

weight

additional equipment

opening

closing

A ↔ B as marked

1/min 130

ms

opening 130

closing 130

°C

DC: -10 to +140

AC: -10 to +140

°C

DC: -10 to +60

AC: -10 to +60

mechanical

TÜV

DIN EN ISO 23553-1 + E DIN 32725

mounting brackets

kg

FK 10,5

electrical specifications

U_n DC 24 V +5%/-10%

U_n AC 230 V +5%/-10% 40-60 Hz

DC direct-current magnet

AC direct-current magnet with separate rectifier

options

nominal voltage

actuation

insulating rating

protection

energized duty rating

connection

H 180°C

IP65

ED 100%

M16x1,5 terminal box

optional

additional equipment

current consumption

N-coil

H-coil DC 24 V 2,66 A

AC 230 V 40-60 Hz 0,36 A

explosion proof

limit switches

mechanical

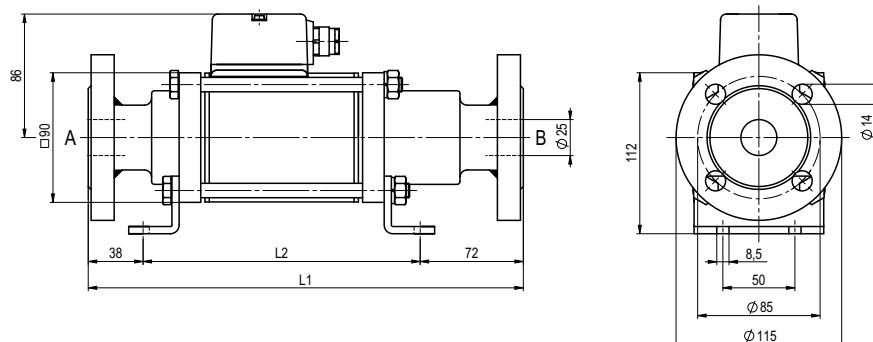
single pole double throw-SPDT

■ specifications not highlighted are standard
 ■ specifications highlighted in grey are optional

coax® data sheet - coaxial valve

type FK 25 TÜV

function: **NC**
closed when not energized



constructive length	L1	L2
standard	302	192
with mechanical limit switches	355	245