

08/2021



**!** Above stated body materials refer to the valve port connections that get in contact with the media only!

**details needed for main valve**

- orifice
- port
- function NC/NO
- operating pressure/Δp
- flow rate
- media
- media temperature
- ambient temperature
- type of actuation

**details needed for pneumatic actuation**

- nominal voltage
- type of protection
- actuation pressure range min/max
- pilot valve type

**details needed for hydraulic actuation**

- actuation pressure range min/max
- hydraulic control valve function

**!** The valves' technical design is based on media and application requirements. This can lead to deviations from the general specifications shown on the data sheet with regards to the design, sealing materials and characteristics.

**!** If order or application specifications are incomplete or imprecise there exists a risk of an incorrect technical design of the valve for the required application. As a consequence, the physical and / or chemical properties of the materials or seals used, may not be suitable for the intended application.

specifications not highlighted are standard  
 specifications highlighted in grey are optional

**2/2-way valve**

**pressure range**  
**orifice**  
**connection**  
**function**

**design**

**body materials**

**valve seat**

**seal materials**

**ports**

**function**  
**pressure range**

**Kv value**  
**vacuum**  
**pressure-vacuum**

**back pressure**  
**media**

**abrasive media**  
**damping**

**flow direction**  
**switching cycles**  
**switching time**

**media temperature**  
**ambient temperature**  
**flush ports**  
**leak ports**  
**limit switches**  
**manual override**  
**approvals**  
**mounting**  
**weight**  
**additional equipment**

**nominal voltage**

**power consumption**

**protection**  
**energized duty rating**  
**connection**  
**optional additional equipment**  
**max. temperature**

**explosion proof**

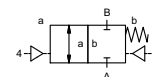
**actuation pressure range**  
**air consumption**  
**cycle speed**  
**control**  
**pilot valve interface**  
**actuator ports**

**actuation pressure range**  
**control**  
**actuator ports**  
**by media**

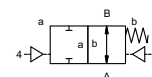
**externally controlled**

PN 0-25 bar  
 DN 10 mm  
 thread

valve normally closed  
 symbol **NC**



valve normally open  
 symbol **NO**



externally controlled with spring return

① aluminium  
 ②  
 ③  
 ④  
 ⑤ stainless steel

synthetic resin on metal / metal on metal  
 EPDM, NBR, FPM, metal bellow (1.4571)

**general specifications**

PCB-1 threads G 3/8  
 bar NC  
 0-25 (see pressure diagram)

**options**

special threads  
 NO  
 NO (see pressure diagram)

m³/h 3,0  
 leak rate  
 P1 ⇌ P2

P2 > P1  
 gaseous - liquid - highly viscous -  
 gelatinous - pasty - contaminated

upon request  
 available

opening by throttles on pilot valve  
 closing A ⇌ B as marked  
 1/min 60  
 ms opening 30-3000  
 closing 30-3000

bi-directional upon request

°C direct mounted pilot valve 60  
 °C direct mounted pilot valve 50

remote mounted pilot valve outside  
 temperatur range of media max. 150 °C

via pilot valve

available  
 inductive

kg PCB-1 1,1

WAZ  
 mounting holes on valve body 2 x M6  
 upon request

**electrical specifications**

Un DC 24 V  
 Un AC 230 V 50 Hz  
 DC 4,8 W  
 AC pick up 11,0 VA holding 8,5 VA  
 IP65 (P54) acc. DIN 40050  
 ED 100%  
 plug acc. DIN EN 175301-803 form B, 4 positions x90° / wire diameter 6-8 mm  
 M12x1 connector acc. DESINA illuminated plug with varistor  
 media 60°C  
 ambient 50°C  
 E Ex e II T5 nominal voltage Un  
 power consumption

**options**

special voltage upon request  
 special voltage upon request  
 2,5 W (actuation pressure range 4-7 bar)

connector acc. VDMA

DC 24 V 3,25 W  
 AC 230 V 50 Hz 2,90 W

**pneumatic specifications**

bar 4-10  
 cm³/stroke PCB-1 7  
 main valve speed variable by throttleson pilot valve  
 preferably 5/2 way pilot valve  
 2/4 G 1/8

**options**

**hydraulic specifications**

bar 10-30  
 preferably 4/2 way control valve  
 X/Y G 1/4 via adapter

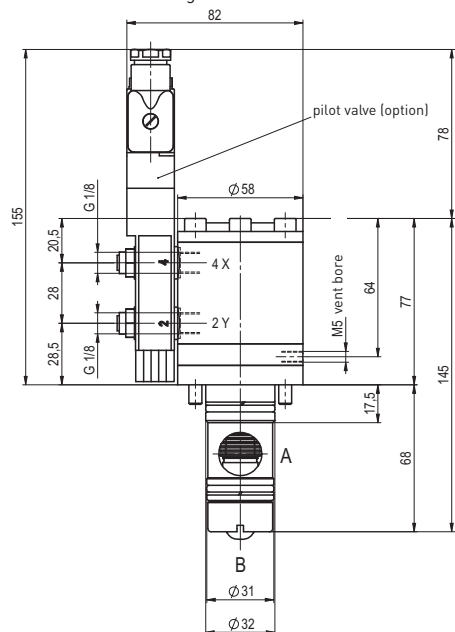
**options**

> 30 bar upon request  
 NPT 1/4 via adapter

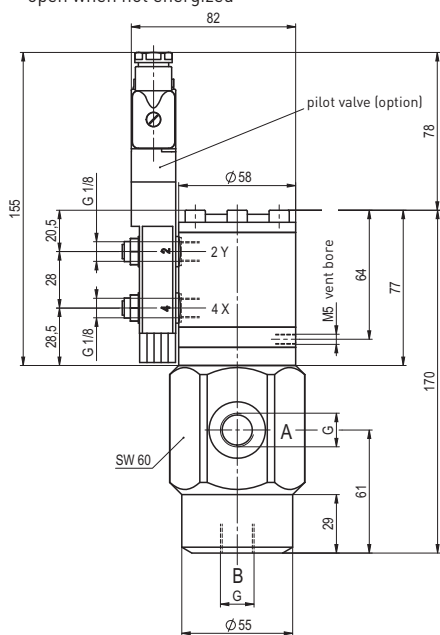
# coax® data sheet - lateral valve

type PCB-1 10

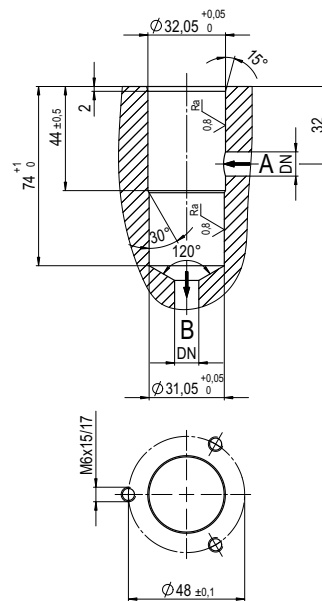
function: **NC**  
closed when not energized



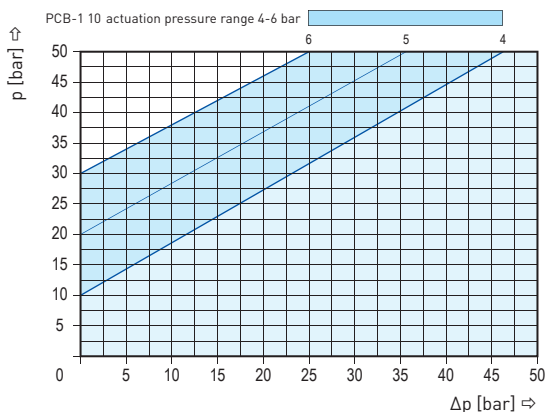
function: **NO**  
open when not energized



## drilling design for cartridge



## pressure-diagram



## pneumatic specifications

