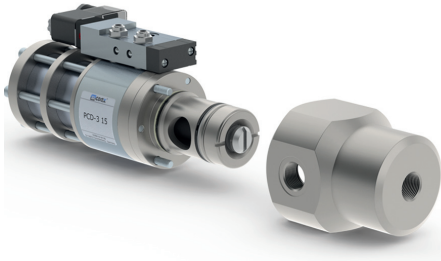


09/2022



⚠ Above stated body materials refer to the valve port connections that get in contact with the media only!

details needed for main valve

- orifice
- port
- function NC/NO
- operating pressure/ Δp
- flow rate
- media
- media temperature
- ambient temperature
- type of actuation

details needed for pneumatic actuation

- nominal voltage
- type of protection
- actuation pressure range min/max
- pilot valve type

details needed for hydraulic actuation

- actuation pressure range min/max
- hydraulic control valve function

⚠ The valves' technical design is based on media and application requirements. This can lead to deviations from the general specifications shown on the data sheet with regards to the design, sealing materials and characteristics.

⚠ If order or application specifications are incomplete or imprecise there exists a risk of an incorrect technical design of the valve for the required application. As a consequence, the physical and / or chemical properties of the materials or seals used, may not be suitable for the intended application. To avoid hydraulic shocks in pipelines, the flow velocities must be taken into account when designing valves for liquids.

■ specifications not highlighted are standard
 ■ specifications highlighted in grey are optional

2/2-way valve

pressure range
orifice
connection
function

operating principle

body material

valve seat

seal materials

ports

function
pressure range

Kv value
vacuum
pressure-vacuum

back pressure
media

abrasive media
damping

flow direction
switching cycles
switching time

media temperature
ambient temperature
flush ports
leak ports
limit switches
manual override
approvals
mounting
weight
additional equipment

nominal voltage

power consumption

protection
energized duty rating
connection
optional additional equipment
max. temperature

explosion proof

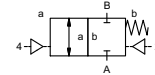
actuation pressure range
air consumption
cycle speed
control
pilot valve interface
actuator ports

actuation pressure range
control
actuator ports
by media

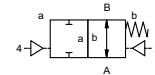
externally controlled

PN 0-200 bar
 DN 15 mm
 thread/cartridge

valve normally closed
 symbol **NC**



valve normally open
 symbol **NO**



externally controlled with spring return

- | | |
|-------------|-------------------|
| ① aluminium | ③ |
| ① brass | ④ |
| ② | ④ stainless steel |

synthetic materials on metal	metal on metal
PU, NBR	PTFE, PE, FPM, EPDM

general specifications

options

PCD-3	without valve body	with valve body thread G 1/2 - G 3/4
	NC	NO
bar	0-150 (0-200 see pressure diagram)	NO [see pressure diagram]
m ³ /h	6.0	
leak rate		< 10 ⁻⁶ mbar•L•s ⁻¹
P ₁ ⇔ P ₂		upon request
P ₂ > P ₁		upon request
	gaseous - liquid - highly viscous - gelatinous - pasty	
opening	by throttles on pilot valve	
closing	as marked	bi-directional upon request
A ⇔ B		
1/min	300	
ms	opening 100-3000	
	closing 100-3000	
°C	direct mounted pilot valve 60	remote mounted pilot valve outside
°C	direct mounted pilot valve 50	temperatur range of media max. 150 °C
		available
		inductive
	via pilot valve	
		WAZ
		mounting holes on valve body 2 x M8
kg	PCD-3 2.4	PCD-3 3.5
		valve body

electrical specifications

options

U _n	DC 24 V	special voltage upon request
U _n	AC 230 V 50 Hz	special voltage upon request
DC	4.8 W	2.5 W [actuation pressure range 4-7 bar]
AC	pick up 11.0 VA holding 8.5 VA	
IP65 (P54)	acc. DIN 40050	
ED	100%	
	plug acc. DIN EN 175301-803 form B, 2 positions x180° / wire diameter 6-8 mm	
M12x1	connector acc. DESINA	connector acc. VDMA
	illuminated plug with varistor	
media	60°C	
ambient	50°C	
E Ex e II T5	nominal voltage U _n	DC 24 V 3.25 W
	power consumption	AC 230 V 50 Hz 2.90 W

pneumatic specifications

options

bar	4-8
cm ³ /stroke	PCD-3 58
	main valve speed variable by throttle on pilot valve preferably 5/2 way pilot valve
2/4	G 1/8

hydraulic specifications

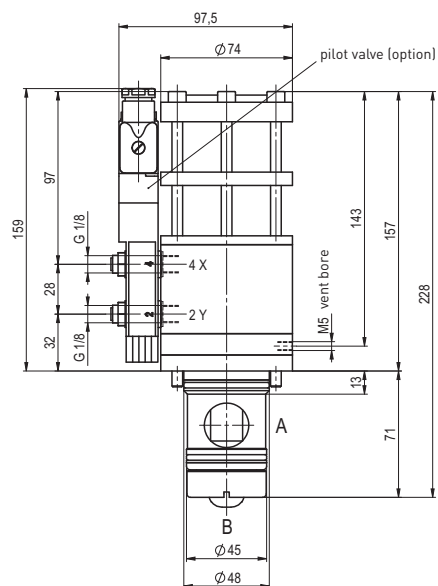
options

bar	10-30	> 30 bar upon request
X/Y	preferably 4/2 way control valve	
	G 1/4 via adapter	NPT 1/4 via adapter

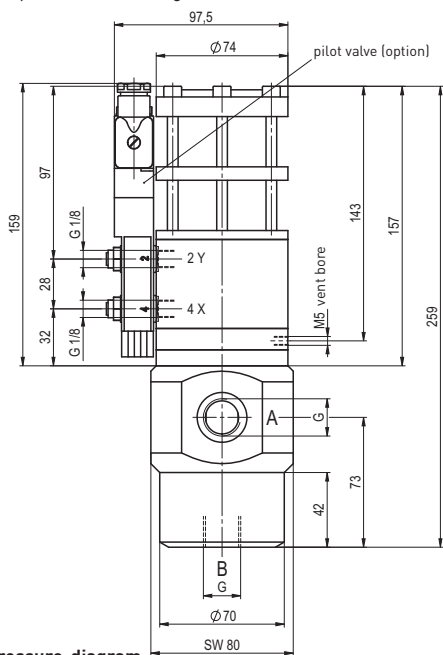
coax® data sheet - lateral valve

type PCD-3 15

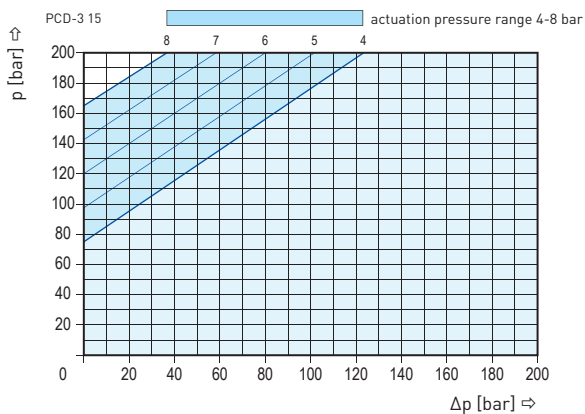
function: **NC**
closed when not energized



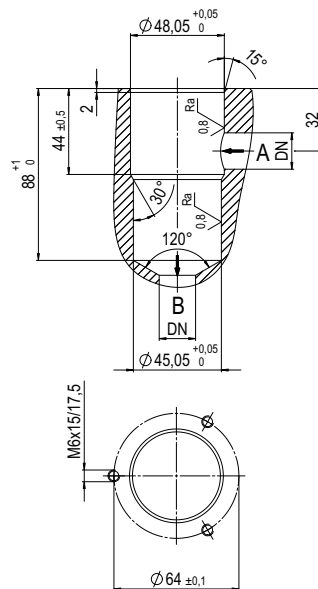
function: **NO**
open when not energized



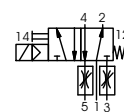
pressure-diagram



drilling design for cartridge



pneumatic specifications



5/2 way pilot valve
flow rate 350 l/min
pressure range 3-10 bar G 1/8