

08/2021



⚠ Above stated body materials refer to the valve port connections that get in contact with the media only!

details needed

- orifice
- port
- operating pressure/ Δp
- flow rate
- media
- media temperature
- ambient temperature
- nominal voltage
- control signal

⚠ The valves' technical design is based on media and application requirements. This can lead to deviations from the general specifications shown on the data sheet with regards to the design, sealing materials and characteristics.

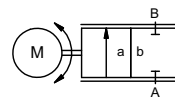
⚠ If order or application specifications are incomplete or imprecise there exists a risk of an incorrect technical design of the valve for the required application. As a consequence, the physical and / or chemical properties of the materials or seals used, may not be suitable for the intended application.

control valve

pressure range
orifice
connection
function

electro motorically controlled

PN 0-64 bar
DN 20 mm
thread
stepless stroke regulation



design

body materials

direct acting with integrated 3-point-regulation

① brass	④
②	⑤
③	⑥ stainless steel

valve seat

seal materials

synthetic resin on metal

FPM, PTFE

ports

function
pressure range
Kv value

general specifications

RMQ	threads G 3/4 - G 1
	stepless stroke regulation
bar	0-64
DN	20
m ³ /h	0 - 7,3
bar	max. 10
	gaseous - liquid - highly viscous - contaminated

options

	available
A ⇌ B	as marked
DN	20
sec. ca.	3
°C	-20 to +80
°C	max. +70
	WAZ
	mounting brackets
kg	5,9

back pressure media

abrasive media

flow direction
switching cycles
operating time
closed - open
media temperature
ambient temperature
approvals
mounting
weight

electrical specifications

U _n	DC 24 V
U _n	AC 24 V
DC	< 1,0 A
AC	< 1,0 A
I _e	0-20 mA / 4-20 mA
U _E	0-10 V
IP65 (P54)	acc. DIN 40050
ED	100 % (according to the manufacturer certifying)
M12x1	concentric socket DIN 40040, 5poles / wire diameter 6-8 mm
	internal separate actual valve output

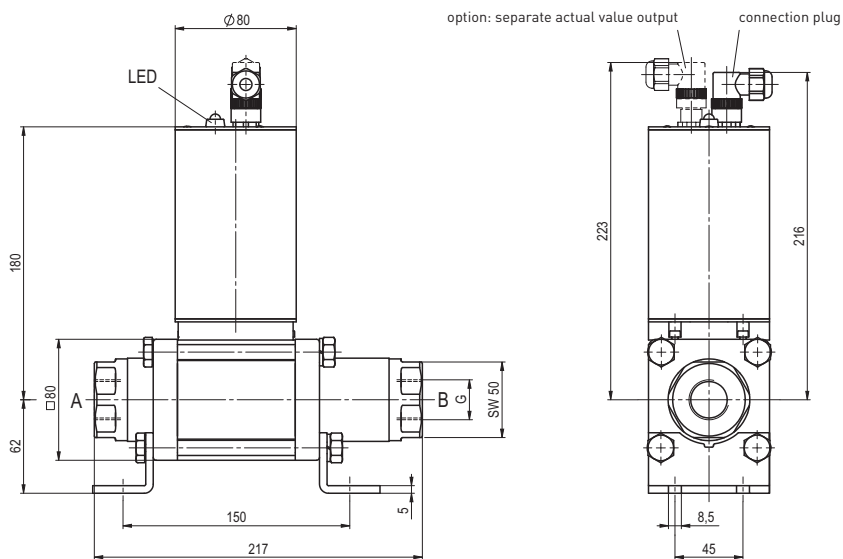
options

actual valve output
IA 4-20 mA

■ specifications not highlighted are standard
 ■ specifications highlighted in grey are optional

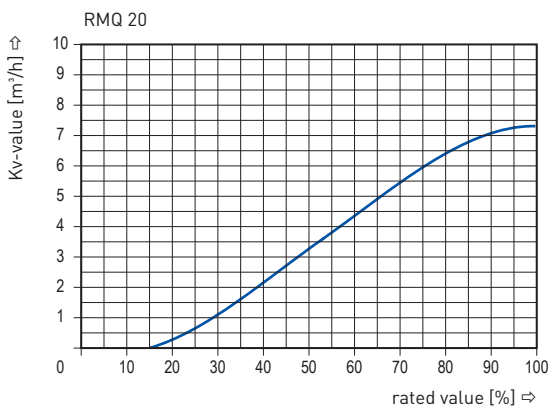
coax® data sheet - positioning valve

type RMQ 20

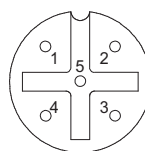


Mounting orientation can be vertical or horizontal, actuator cannot be installed facing down

Kv value

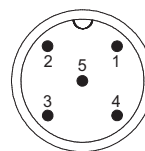


connection plan / connection plug



- 1: nominal voltage
- 2: nominal voltage
- 3: control signal
- 4: ground (control signal)
- 5: earthing

option separate actual value output



- 1: actual value 4-20 mA (+)
- 2: actual value 4-20 mA (-)