

08/2021



⚠ Above stated body materials refer to the valve port connections that get in contact with the media only!

details needed

- orifice
- port
- function NC/NO
- operating pressure
- flow rate
- media
- media temperature
- ambient temperature
- nominal voltage

⚠ The valves' technical design is based on media and application requirements. This can lead to deviations from the general specifications shown on the data sheet with regards to the design, sealing materials and characteristics.

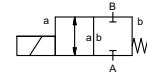
⚠ If order or application specifications are incomplete or imprecise there exists a risk of an incorrect technical design of the valve for the required application. As a consequence, the physical and / or chemical properties of the materials or seals used, may not be suitable for the intended application.

2/2-way valve

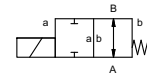
pressure range
orifice
connection
function

direct acting

PN 0-10 bar
 DN 40 mm
 thread
 valve normally closed
 symbol **NC**



valve normally open
 symbol **NO**



design

body materials

pressure balanced, with spring return

- ① brass
- ③ brass, nickel plated

valve seat

seal materials

synthetic resin on metal

NBR **FPM**

general specifications

options

ports
function
pressure range

RSV threads G 1 1/2
 NC **NO**
 bar 0-10

Kv value
vacuum
pressure-vacuum
back pressure
media

m³/h 14,0
 low vacuum
 P₁ ↔ P₂ **upon request**
 P₂ > P₁ gaseous - liquid

abrasive media damping

opening
 closing

flow direction
switching cycles
switching time

A ↔ B as marked
 1/min 70
 ms opening 150
 closing 250

media temperature

°C DC: -10 to +80
 AC: -10 to +80

ambient temperature

°C DC: -10 bis +80
 AC: -10 bis +80

limit switches
manual override
approvals
mounting
weight
additional equipment

kg 8,4
mounting bracket / mounting holes
upon request

nominal voltage

electrical specifications

options

actuation

U_n DC 24 V +5%/-10% **special voltage upon request**
 U_n AC 230 V +5%/-10% 40-60 Hz **special voltage upon request**
 DC direct-current magnet
 AC direct-current magnet with integrated rectifier

insulating rating
protection
energized duty rating
connection

H 180°C
 IP65
 ED 100%
 plug acc. DIN EN 175301-803 form A, 4 **terminal box M16x1,5**
 positions x90° / wire diameter 6-8 mm

optional
additional equipment
current consumption

illuminated plug with varistor
 N-coil DC 24 V 1,79 A
 AC 230 V 40-60 Hz 0,36 A

explosion proof

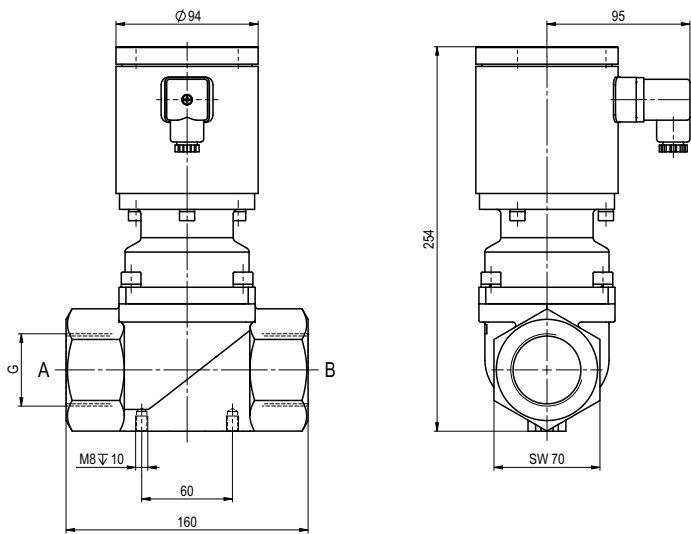
limit switches

■ specifications not highlighted are standard
 ■ specifications highlighted in grey are optional

coax® data sheet - lateral valve

type RSV 40

function: **NC**
closed when not energized



function: **NO**
open when not energized

