

08/2021



⚠ Above stated body materials refer to the valve port connections that get in contact with the media only!

details needed

- orifice
- port
- function NC/NO
- operating pressure
- flow rate
- media
- media temperature
- ambient temperature
- nominal voltage

⚠ The valves' technical design is based on media and application requirements. This can lead to deviations from the general specifications shown on the data sheet with regards to the design, sealing materials and characteristics.

⚠ If order or application specifications are incomplete or imprecise there exists a risk of an incorrect technical design of the valve for the required application. As a consequence, the physical and / or chemical properties of the materials or seals used, may not be suitable for the intended application.

2/2-way valve

pressure range

orifice

connection

function

direct acting

PN 0-10 bar

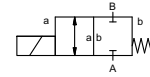
DN 50 mm

thread

valve

normally closed

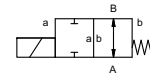
symbol **NC**



valve

normally open

symbol **NO**



design

body materials

pressure balanced, with spring return

① brass

③ brass, nickel plated

valve seat

seal materials

synthetic resin on metal

NBR

FPM

general specifications

options

RSV threads G 2

bar

NC

NO

m³/h

19,0

P₁ ↔ P₂

low vacuum

upon request

P₂ > P₁

gaseous - liquid

ports

function

pressure range

Kv value

vacuum

pressure-vacuum

back pressure

media

abrasive media

damping

flow direction

switching cycles

switching time

media temperature

ambient temperature

limit switches

manual override

approvals

mounting

weight

additional equipment

opening

closing

A ↔ B as marked

1/min 70

ms opening 150

closing 250

°C DC: -10 to +80

AC: -10 to +80

°C DC: -10 bis +80

AC: -10 bis +80

mounting bracket / mounting holes

kg 8,4

upon request

electrical specifications

options

U_n DC 24 V +5%/-10%

special voltage upon request

U_n AC 230 V +5%/-10% 40-60 Hz

special voltage upon request

DC direct-current magnet

AC direct-current magnet with integrated rectifier

H 180°C

IP65

ED 100%

plug acc. DIN EN 175301-803 form A, 4 positions x90° / wire diameter 6-8 mm

illuminated plug with varistor

N-coil DC 24 V 1,79 A

AC 230 V 40-60 Hz 0,36 A

nominal voltage

actuation

insulating rating

protection

energized duty rating

connection

optional

additional equipment

current consumption

explosion proof

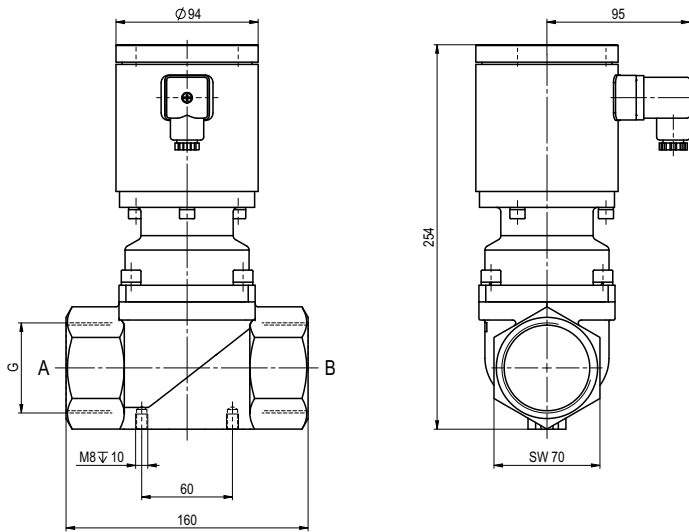
limit switches

■ specifications not highlighted are standard
 ■ specifications highlighted in grey are optional

coax® data sheet - lateral valve

type RSV 50

function: **NC**
closed when not energized



function: **NO**
open when not energized

