

type VMK 32 DR
VFK 32 DR

08/2021



! Above stated body materials refer to the valve port connections that get in contact with the media only!

details needed for main valve

- orifice
- port
- function NC/NO
- operating pressure
- inlet pressure at A, B or C
- flow rate
- media
- media temperature
- ambient temperature
- type of actuation

details needed for pneumatic actuation

- nominal voltage
- type of protection
- actuation pressure range min/max
- pilot valve type

details needed for hydraulic actuation

- actuation pressure range min/max
- hydraulic control valve function

! The valves' technical design is based on media and application requirements. This can lead to deviations from the general specifications shown on the data sheet with regards to the design, sealing materials and characteristics.

! If order or application specifications are incomplete or imprecise there exists a risk of an incorrect technical design of the valve for the required application. As a consequence, the physical and / or chemical properties of the materials or seals used, may not be suitable for the intended application.

■ specifications not highlighted are standard
■ specifications highlighted in grey are optional

3/2 way valve

pressure range
orifice
connection
function

design

body materials

valve seat

seal materials

ports

function
pressure range

Kv value
vacuum
pressure-vacuum

back pressure
media

abrasive media
damping

flow direction
switching cycles
switching time

media temperature
ambient temperature
flush ports
leak ports
limit switches
manual override
approvals
mounting
weight
additional equipment

nominal voltage

power consumption

protection
energized duty rating
connection
optional additional equipment
max. temperature

explosion proof

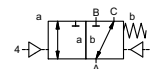
actuation pressure range
air consumption
cycle speed
control
pilot valve interface
actuator ports

actuation pressure range
control
actuator ports
by media

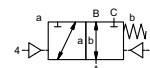
externally controlled

PN 0-100 bar
DN 32 mm
thread/flange

valve
normally closed (A ► B)
symbol **NC**



valve
normally open (A ► B)
symbol **NO**



pressure balanced, with spring return, intersecting switch-over

- ① brass
- ② steel galvanized
- ③ brass, nickel plated
- ④ steel, nickel plated
- ⑤ without non-ferr. Metals
- ⑥ stainless steel

synthetic resin on metal

NBR PTFE, FPM, CR, EPDM

general specifications

VMK	threads G 1 1/4 - G 1 1/2	special threads
VFK	flanges PN 16 / 40 / 100	special flanges
	NC	NO
bar	0-16 / 0-40 / 0-64 / 0-100	
	A → B max. 100 / B → A max. 16 / A → C max. 100 / C → A max. 100	
m ³ /h	18,9	
leak rate		< 10 ⁻⁶ mbar•L•s ⁻¹
P ₁ ↔ P ₂		pressure side max. 100 bar vacuum side leak rate upon request
P ₂ > P ₁	see pressure range	
	gaseous - liquid - highly viscous - gelatinous - pasty - contaminated	available
opening		
closing	by throttles on pilot valve	
1/min	see pressure range	
ms	opening 100-3000 closing 100-3000	
°C	direct mounted pilot valve 60	remote mounted pilot valve outside
°C	direct mounted pilot valve 50	temperatur range of media max. 160 °C
		available
		available
		inductive / mechanical upon request
	via pilot valve	
		LR/GL/WAZ
		mounting brackets
kg	VMK 8,5 VFK 10,2	upon request

options

electrical specifications

U _n	DC 24 V	special voltage upon request
U _n	AC 230 V 50 Hz	special voltage upon request
DC	4,8 W	2,5 W [actuation pressure range 4-7 bar]
AC	pick up 11,0 VA holding 8,5 VA	
IP65 (P54)	acc. DIN 40050	
ED	100%	
	plug acc. DIN EN 175301-803 form B, 4 positions x90° / wire diameter 6-8 mm	
M12x1	connector acc. DESINA	connector acc. VDMA
	illuminated plug with varistor	
media	60°C	
ambient	50°C	
E Ex e II T5	nominal voltage U _n	DC 24 V 3,25 W
	power consumption	AC 230 V 50 Hz 2,90 W

options

pneumatic specifications

bar	4-10	
cm ³ /stroke	23	
	main valve speed variable by throttleson pilot valve	
	preferably 5/2 way pilot valve	
	co-ax / Namur	ISO 1
2/4	G 1/8	G 1/4

options

hydraulic specifications

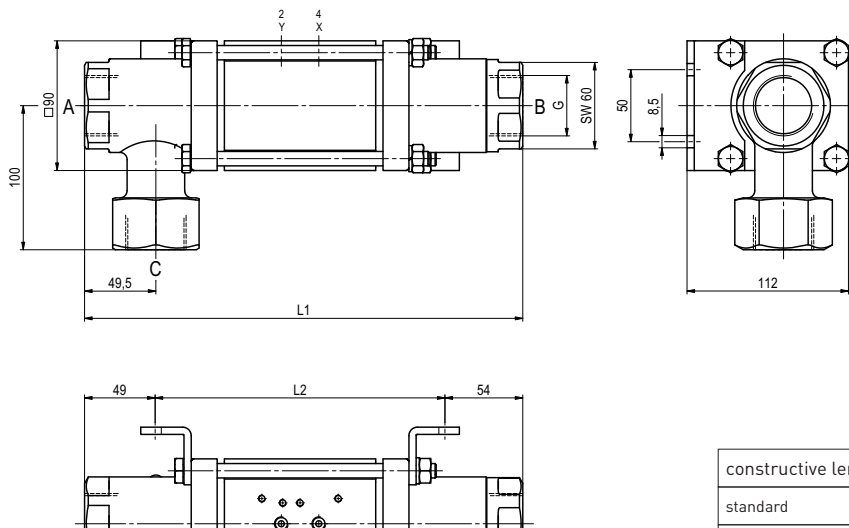
bar	15-30 / 30-60	
	preferably 4/2 way control valve	
X/Y	G 1/4	NPT 1/4

options

coax® data sheet - coaxial valve

type VMK 32 DR
VFK 32 DR

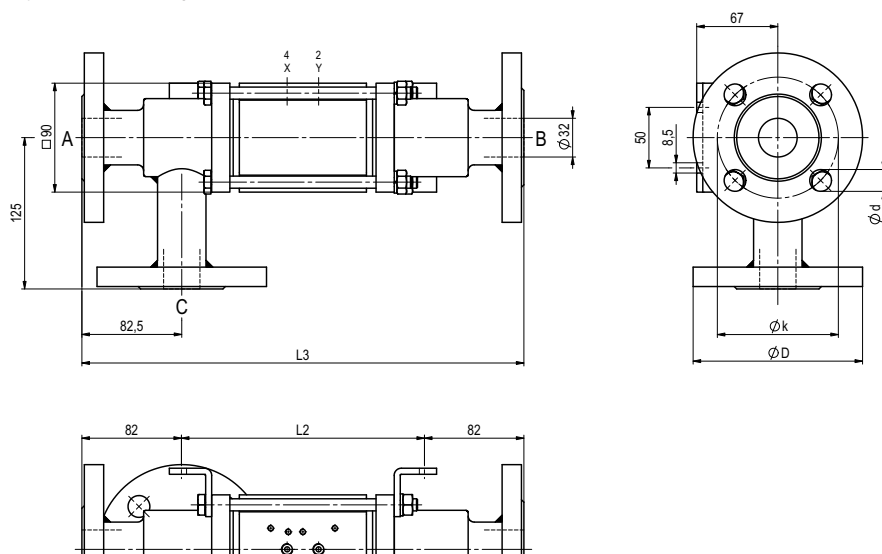
function: **NC**
closed when not energized (A ► B)



constructive length	L1	L2	L3
standard	304	201	365
with inductive limit switches	311	208	372
with force-feed lubrication nipple	341	238	402
with mechanical limit switches	339	236	400

flanges PN	DIN	ØD	Øk	Ød
16	EN 1092-1	140	100	18
40	EN 1092-1	140	100	18
100	EN 1092-1	155	110	22

function: **NO**
open when not energized (A ► B)



pneumatic specifications

