

08/2021



**!** Above stated body materials refer to the valve port connections that get in contact with the media only!

**details needed for main valve**

- orifice
- port
- function NC/NO
- operating pressure
- flow rate
- media
- media temperature
- ambient temperature
- type of actuation

**details needed for pneumatic actuation**

- nominal voltage
- type of protection
- actuation pressure range min/max
- pilot valve type

**details needed for hydraulic actuation**

- actuation pressure range min/max
- hydraulic control valve function

**!** The valves' technical design is based on media and application requirements. This can lead to deviations from the general specifications shown on the data sheet with regards to the design, sealing materials and characteristics.

**!** If order or application specifications are incomplete or imprecise there exists a risk of an incorrect technical design of the valve for the required application. As a consequence, the physical and / or chemical properties of the materials or seals used, may not be suitable for the intended application.

■ specifications not highlighted are standard  
■ specifications highlighted in grey are optional

**2/2-way valve**

**pressure range**  
**orifice**  
**connection**  
**function**

**design**

**body materials**

**valve seat**

**seal materials**

**ports**

**function**  
**pressure range**

**Kv value**  
**vacuum**  
**pressure-vacuum**

**back pressure**  
**media**

**abrasive media**  
**damping**

**flow direction**  
**switching cycles**  
**switching time**

**media temperature**  
**ambient temperature**  
**flush ports**  
**leak ports**  
**limit switches**  
**manual override**  
**approvals**  
**mounting**  
**weight**  
**additional equipment**

**nominal voltage**  
**power consumption**

**protection**  
**energized duty rating**  
**connection**  
**optional additional equipment**  
**max. temperature**

**explosion proof**

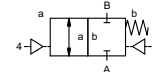
**actuation pressure range**  
**air consumption**  
**cycle speed**  
**control**  
**pilot valve interface**  
**actuator ports**

**actuation pressure range**  
**control**  
**actuator ports**  
**by media**

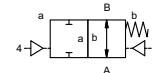
**externally controlled**

PN 0-200 bar  
DN 25 mm  
thread/flange

valve normally closed  
symbol **NC**



valve normally open  
symbol **NO**



pressure balanced, with spring return

- ①
- ② steel galvanized
- ③
- ④ steel, nickel plated
- ⑤ without non-ferr. Metals
- ⑥ stainless steel

synthetic resin on metal

NBR PTFE, FPM, CR, EPDM

**general specifications**

VMK-H threads G 1  
VFK-H flanges PN 160 / 250  
NC  
0-200

**options**

special threads  
special flanges  
NO

m<sup>3</sup>/h 12,6  
leak rate < 10<sup>-6</sup> mbar•L•s<sup>-1</sup>  
P<sub>1</sub> ⇌ P<sub>2</sub> pressure side max. 200 bar  
vacuum side leak rate upon request available (max. 16 bar)  
P<sub>2</sub> > P<sub>1</sub> gaseous - liquid - highly viscous - gelatinous - pasty - contaminated

opening closing by throttles on pilot valve  
A ⇌ B as marked  
1/min 200  
ms opening 50-3000  
closing 50-3000

°C direct mounted pilot valve 60 remote mounted pilot valve outside  
°C direct mounted pilot valve 50 temperatur range of media max. 160 °C  
available  
available  
inductive / mechanical upon request

via pilot valve  
LR/GL/WAZ  
mounting brackets  
kg VMK-H 8,7 VFK-H 11,1  
upon request

**electrical specifications**

U<sub>n</sub> DC 24 V special voltage upon request  
U<sub>n</sub> AC 230 V 50 Hz special voltage upon request  
DC 4,8 W 2,5 W [actuation pressure range 4-7 bar]

AC pick up 11,0 VA holding 8,5 VA  
IP65 (P54) acc. DIN 40050  
ED 100%  
plug acc. DIN EN 175301-803 form B, 4 positions x90° / wire diameter 6-8 mm  
M12x1 connector acc. DESINA connector acc. VDMA  
illuminated plug with varistor

media 60°C  
ambient 50°C  
E Ex e II T5 nominal voltage U<sub>n</sub> DC 24 V 3,25 W  
power consumption AC 230 V 50 Hz 2,90 W

**pneumatic specifications**

bar 4-10  
cm<sup>3</sup>/stroke 24  
main valve speed variable by throttles on pilot valve  
preferably 5/2 way pilot valve  
co-ax / Namur ISO 1  
2/4 G 1/8 G 1/4

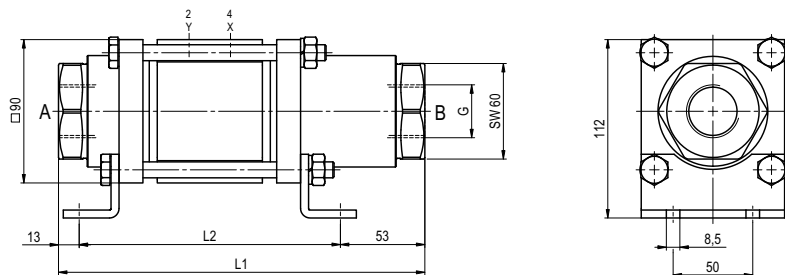
**hydraulic specifications**

bar 15-30 / 30-60  
preferably 4/2 way control valve  
X/Y G 1/4 NPT 1/4

# coax® data sheet - coaxial valve

type VMK-H 25  
VFK-H 25

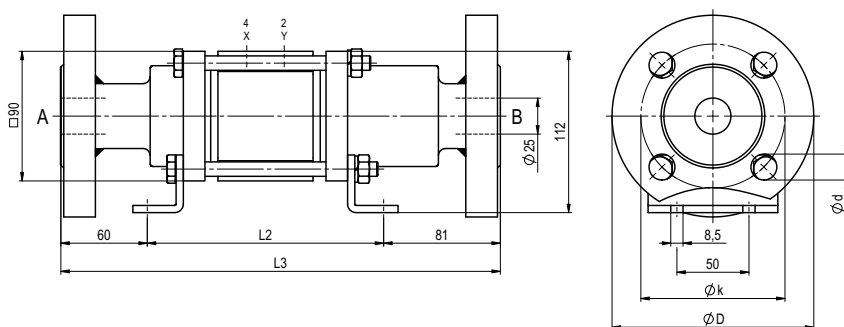
function: **NC**  
closed when not energized



constructive length	L1	L2	L3
standard	230	164	305
with inductive limit switches	260	194	335
with force-feed lubrication nipple	260	194	335
with mechanical limit switches	-	-	-

flanges PN	DIN	$\varnothing D$	$\varnothing k$	$\varnothing d$
160	EN 1092-1	140	100	18
250	EN 1092-1	150	105	22

function: **NO**  
open when not energized



## pneumatic specifications

