

08/2021



⚠ Above stated body materials refer to the valve port connections that get in contact with the media only!

details needed for main valve

- orifice
- port
- function NC/NO
- operating pressure
- flow rate
- media
- media temperature
- ambient temperature
- type of actuation

details needed for pneumatic actuation

- nominal voltage
- type of protection
- actuation pressure range min/max
- pilot valve type

details needed for hydraulic actuation

- actuation pressure range min/max
- hydraulic control valve function

⚠ The valves' technical design is based on media and application requirements. This can lead to deviations from the general specifications shown on the data sheet with regards to the design, sealing materials and characteristics.

⚠ If order or application specifications are incomplete or imprecise there exists a risk of an incorrect technical design of the valve for the required application. As a consequence, the physical and / or chemical properties of the materials or seals used, may not be suitable for the intended application.

■ specifications not highlighted are standard
 ■ specifications highlighted in grey are optional

2/2-way valve

pressure range
orifice
connection
function

design

body materials

valve seat

seal materials

ports

function
pressure range

Kv value
vacuum
pressure-vacuum

back pressure
media

abrasive media
damping

flow direction
switching cycles
switching time

media temperature
ambient temperature
flush ports
leak ports
limit switches
manual override
approvals
mounting
weight
additional equipment

nominal voltage

power consumption

protection
energized duty rating
connection
optional additional equipment
max. temperature

explosion proof

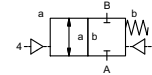
actuation pressure range
air consumption
cycle speed
control
pilot valve interface
actuator ports

actuation pressure range
control
actuator ports
by media

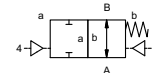
externally controlled

PN 0-40 bar
 DN 150 mm
 flange

valve normally closed
 symbol **NC**



valve normally open
 symbol **NO**



pressure balanced, with spring return

- | | |
|------------------------|----------------------------|
| ① aluminium | ② steel galvanized |
| ③ | ⑤ without non-ferr. Metals |
| ④ steel, nickel plated | ⑥ stainless steel |

synthetic resin on metal

NBR PTFE, FPM, CR, EPDM

general specifications

VSV-F	flanges PN 16 / 40	options special flanges
	NC	NO
bar	0-16 / 0-40	
m³/h	274,0	
leak rate		< 10 ⁻⁶ mbar•L•s ⁻¹
P ₁ ⇔ P ₂		pressure side max. 40 bar vacuum side leak rate upon request available (max. 16 bar)
P ₂ > P ₁		gaseous - liquid - highly viscous - gelatinous - pasty - contaminated available
opening		
closing	by throttles on pilot valve	
A ⇔ B	as marked	bi-directional upon request
1/min	20	
ms	opening 600-3000 closing 600-3000	
°C	direct mounted pilot valve 60	remote mounted pilot valve outside
°C	direct mounted pilot valve 50	temperatur range of media max. 160 °C
		available
		available
		inductive / mechanical upon request
	via pilot valve	
		LR/GL/WAZ
kg	VSV-F 87,0	upon request

electrical specifications

U _n	DC 24 V	options special voltage upon request
U _n	AC 230 V 50 Hz	special voltage upon request
DC	4,8 W	2,5 W [actuation pressure range 4-7 bar]
AC	pick up 11,0 VA holding 8,5 VA	
IP65 (P54)	acc. DIN 40050	
ED	100%	
	plug acc. DIN EN 175301-803 form B, 4 positions x90° / wire diameter 6-8 mm	
M12x1	connector acc. DESINA illuminated plug with varistor	connector acc. VDMA
media ambient	60°C 50°C	
E Ex e II T5	nominal voltage U _n	DC 24 V 3,25 W
	power consumption	AC 230 V 50 Hz 2,90 W

pneumatic specifications

bar	4-10	options
cm³/stroke	550	
	main valve speed variable by throttleson pilot valve preferably 5/2 way pilot valve	
2/4	G 1/4	G 3/8

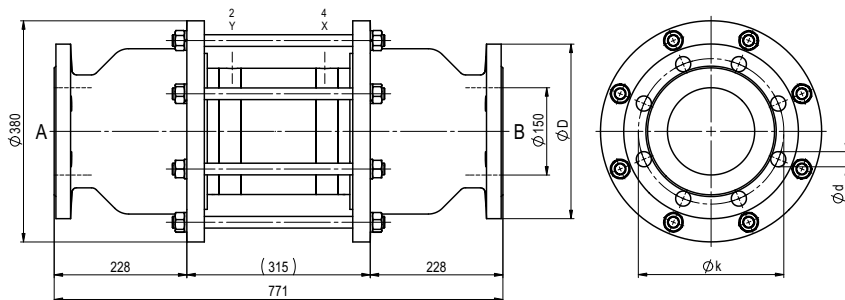
hydraulic specifications

bar	15-30 / 30-60	options
	preferably 4/2 way control valve	
X/Y	G 1/4	NPT 1/4 upon request

coax® data sheet - coaxial valve

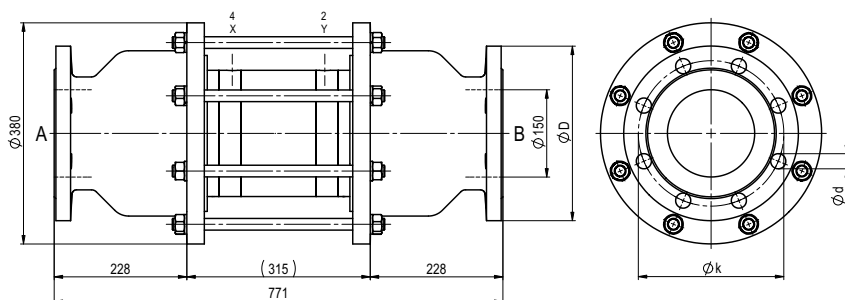
type VSV-F 150

function: **NC**
closed when not energized



flanges PN	DIN	ØD	Øk	Ød
16	EN 1092-1	285	240	22
40	EN 1092-1	300	250	26

function: **NO**
open when not energized



pneumatic specifications

