

pressure reduction valve

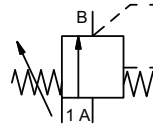
type HPP-3 15 PC


3-HPP-3 15 PC

valve type with pilot valve



control valve manuel externally controlled
pressure range PN 0-100 bar
orifice DN 15 mm
connection thread/cartridge
function manual stepless pressure regulation



 Above stated body materials refer to the valve port connections that get in contact with the media only!

design externally controlled with spring return
body materials ① aluminium ③
 ① brass ④
 ② stainless steel ⑥
valve seat synthetic resin on metal / metal on metal
seal materials EPDM, PU, HNBR FPM

details needed for main valve

- orifice
- port
- pressure regulating range
- flow rate
- media
- media temperature
- ambient temperature


details needed for pneumatic actuation


- nominal voltage
- type of protection
- actuation pressure range min/max

general specifications		options
ports	HPP-3 with valve body thread G 1/2 - G 3/4	without valve body
function	stepless regulation	
pressure regulation range	bar 5-100	
flow rate	m³/h max. 6,0	
media	gaseous - liquid - highly viscous - contaminated	
abrasive media		version available
flow direction	A ⇌ B as marked	
settling time	ms < 200	
media temperature	°C 0 to +60	
ambient temperature	°C 0 to +50	
approvals		
mounting		mounting holes
weight	kg 4,4	3,3
additional equipment		

electrical specifications		options
nominal voltage	U _n DC 24 V	special voltage upon request
	U _n AC 230 V 50 Hz	special voltage upon request
power consumption	DC 4,8 W	2,5 W
	AC pick up 11,0 VA holding 8,5 VA	
protection	IP65 (P54) acc. DIN 40050	
energized duty rating	ED 100%	
connection	plug acc. DIN EN 175301-803 form B, 3 positions x90° / wire diameter 6-8 mm	
optional air	M12x1 connector acc. DESINA	connector acc. VDMA
additional equipment	illuminated plug with varistor	
max. temperature	media 60°C	
	ambient 50°C	
explosion proof	E Ex e II T5 nominal voltage U _n	DC 24 V 3,25 W
	power consumption	AC 230 V 50 Hz 2,90 W

pneumatic specifications		options
actuation pressure range	bar see actuation pressure-diagram	
compressed air	DIN ISO 8573-1 grade of compressed air quality 5/4/3	
control	preferably 3/2 way pilot valve during low pressure circulation mode	
actuator ports	1 G 1/8	

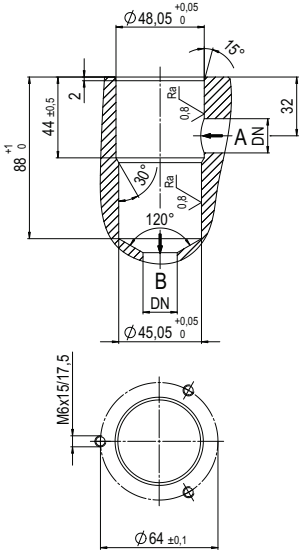
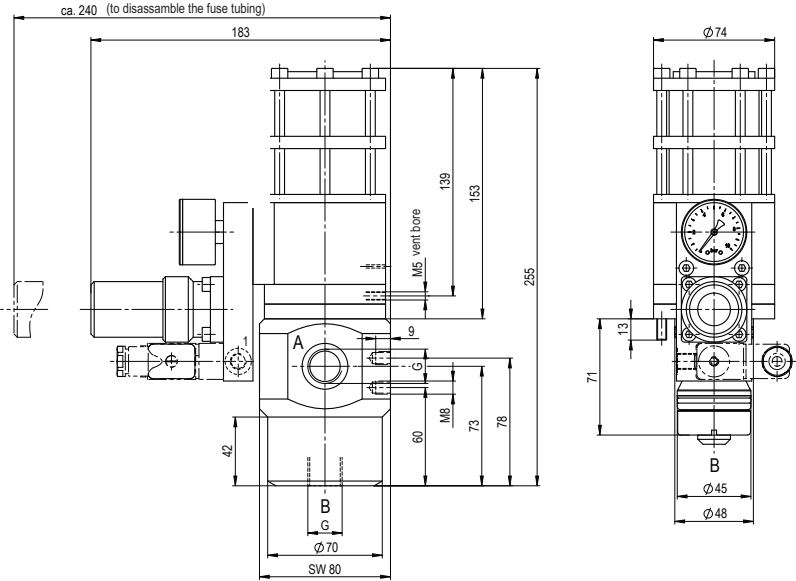
 The valves' technical design is based on media and application requirements. This can lead to deviations from the general specifications shown on the data sheet with regards to the design, sealing materials and characteristics.

 If order or application specifications are incomplete or imprecise there exists a risk of an incorrect technical design of the valve for the required application. As a consequence, the physical and / or chemical properties of the materials or seals used, may not be suitable for the intended application.

■ specifications not highlighted are standard
 ■ specifications highlighted in grey are optional

type HPP-3 15 PC

drilling design for cartridge



actuation pressure-diagram

