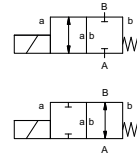


coaxial valve

type MK 10



2/2 way valve direct acting
pressure range PN 0-40 bar
orifice DN 10 mm
connection thread
function valve normally closed
 symbol **NC**
 valve normally open
 symbol **NO**



Above stated body materials refer to the valve port connections that get in contact with the media only!

design pressure balanced, with spring return
body materials ① brass ②
 ③ brass, nickel plated ⑤
 ④ ⑥ stainless steel
 ⑦ aluminium
valve seat synthetic resin on metal
seal materials NBR FPM, CR, EPDM

details needed

- orifice
- port
- function NC/NO
- operating pressure
- flow rate
- media
- media temperature
- ambient temperature
- nominal voltage

general specifications

options

ports	MK	threads G 1/4 - G 3/4	special threads
function		NC	NO
pressure range	bar	0-16 / 0-40	
Kv value	m ³ /h	2,5	
vacuum			< 10 ⁻⁶ mbar*1s ⁻¹
pressure-vacuum	P ₁ ⇄ P ₂		upon request
back pressure	P ₂ > P ₁		available (max. 16 bar)
media		gaseous - liquid - contaminated	
abrasive media			
damping	opening		
	closing		
flow direction	A ⇄ B	as marked	bi-directional (max. 16 bar)
switching cycles	1/min	200	
switching time	ms	opening 25 closing 25	
media temperature	°C	DC: -10 to +100 AC: -10 to +100	-30 to +120 -30 to +120
ambient temperature	°C	DC: -10 to +80 AC: -10 to +80	
limit switches			inductive
manual override			
approvals			LR/GL/WAZ
mounting			mounting brackets
weight	kg	MK 1,5	
additional equipment			upon request

electrical specifications

options

nominal voltage	U _n	DC 24 V	special voltage upon request
	U _n	AC 230 V 40-60 Hz	special voltage upon request
actuation	DC	direct-current magnet	
	AC	direct-current magnet with integrated rectifier	
insulating rating	H	180°C	
protection	IP65		
energized duty rating	ED	100%	
connection		plug acc. DIN EN 175301-803 form A, 4 positions x90° / wire diameter 6-8 mm	terminal box M16x1,5
optional	M12x1	connector acc. DESINA	connector acc. VDMA
additional equipment		illuminated plug with varistor	
current consumption	N-coil	DC 24 V 1,00 A AC 230 V 40-60 Hz 0,13 A	
	H-coil		DC 24 V 1,29 A AC 230 V 40-60 Hz 0,16 A
explosion proof			
limit switches		inductive (B)	normally open-PNP

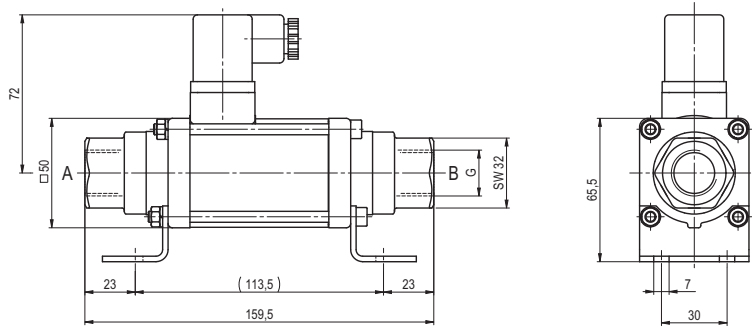
The valves' technical design is based on media and application requirements. This can lead to deviations from the general specifications shown on the data sheet with regards to the design, sealing materials and characteristics.

If order or application specifications are incomplete or imprecise there exists a risk of an incorrect technical design of the valve for the required application. As a consequence, the physical and / or chemical properties of the materials or seals used, may not be suitable for the intended application.

■ specifications not highlighted are standard
 ■ specifications highlighted in grey are optional

type MK 10

function: **NC**
closed when not energized



type MK 10

function: **NO**
open when not energized

