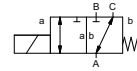



# coaxial valve


## type FK 25 DR TÜV



**3/2 way valve** direct acting  
**pressure range** PN 0-40 bar  
**orifice** DN 25 mm  
**connection** flange  
**function** valve  
 normally closed (A ► B)  
 symbol **NC**



 Above stated body materials refer to the valve port connections that get in contact with the media only!

**design** pressure balanced, with spring return, switching overlap  
**body materials**  TÜV

**valve seat** synthetic resin on metal  
**seal materials** FPM, PTFE

**details needed**

- orifice
- port
- function NC
- operating pressure
- inlet pressure at A, B or C
- flow rate
- media
- media temperature
- ambient temperature
- nominal voltage

**general specifications**


**options**


<b>ports</b>	FK	flanges PN 40
<b>function</b>		NC
<b>pressure range</b>	bar	0-40
<b>Kv value</b>	m <sup>3</sup> /h	11,2
<b>vacuum</b>		leak rate
<b>pressure-vacuum</b>	P <sub>1</sub> ⇔ P <sub>2</sub>	
<b>back pressure</b>	P <sub>2</sub> > P <sub>1</sub>	see pressure range
<b>media</b>		liquid fuels
<b>abrasive media</b>		
<b>damping</b>	opening	
	closing	
<b>flow direction</b>		see pressure range
<b>switching cycles</b>	1/min	130
<b>switching time</b>	ms	opening 130 closing 130
<b>media temperature</b>	°C	DC: -10 to +140
		AC: -10 to +140
<b>ambient temperature</b>	°C	DC: -10 to +60
		AC: -10 to +60
<b>limit switches</b>		mechanical
<b>manual override</b>		
<b>approvals</b>	TÜV	DIN EN ISO 23553-1 + E DIN 32725
<b>mounting</b>		mounting brackets
<b>weight</b>	kg	FK 12,0
<b>additional equipment</b>		

**electrical specifications**

**options**

<b>nominal voltage</b>	U <sub>n</sub>	DC 24 V
	U <sub>n</sub>	AC 230 V 40-60 Hz
<b>actuation</b>	DC	direct-current magnet
	AC	direct-current magnet with separate rectifier
<b>insulating rating</b>	H	180°C
<b>protection</b>	IP65	
<b>energized duty rating</b>	ED	100%
<b>connection</b>	M16x1,5	terminal box
<b>optional additional equipment</b>		
<b>current consumption</b>	N-coil	
	H-coil	DC 24 V 2,66 A
		AC 230 V 40-60 Hz 0,36 A
<b>explosion proof</b>		
<b>limit switches</b>		mechanical
		single pole double throw-SPDT

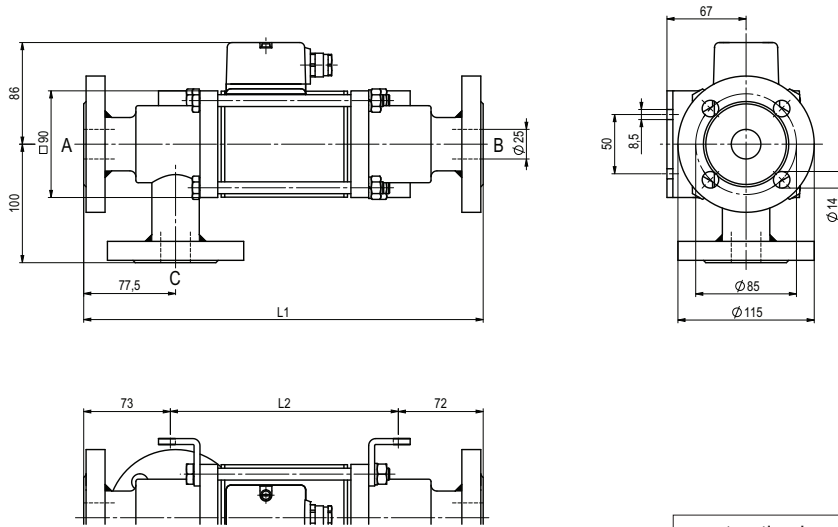
 The valves' technical design is based on media and application requirements. This can lead to deviations from the general specifications shown on the data sheet with regards to the design, sealing materials and characteristics.

 If order or application specifications are incomplete or imprecise there exists a risk of an incorrect technical design of the valve for the required application. As a consequence, the physical and / or chemical properties of the materials or seals used, may not be suitable for the intended application.

■ specifications not highlighted are standard  
 ■ specifications highlighted in grey are optional

# type **FK 25 DR TÜV**

function: **NC**  
 closed when not energized (A ► B)



constructive length	L1	L2
standard	337	192