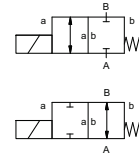


coaxial valve

type **MK 40**
FK 40



2/2 way valve **direct acting**
pressure range PN 0-64 bar (NO: 0-40 bar)
orifice DN 40 mm
connection thread/flange
function valve normally closed symbol **NC**
 valve normally open symbol **NO**



△ Above stated body materials refer to the valve port connections that get in contact with the media only!

design pressure balanced, with spring return
body materials ① brass ② steel, galvanized
 ③ brass, nickel plated ⑤ without non-ferr. metals
 ④ steel, nickel plated ⑥ stainless steel
valve seat synthetic resin on metal
seal materials NBR PTFE, FPM, CR, EPDM

details needed

- orifice
- port
- function NC/NO
- operating pressure
- flow rate
- media
- media temperature
- ambient temperature
- nominal voltage

| general specifications | | options |
|-----------------------------|---|--|
| ports | MK threads G 1 1/2 - G 2 FK flanges PN 16 / 40 / 100 | special threads special flanges |
| function | NC | NO |
| pressure range | bar 0-16 / 0-40 / 0-64 | 0-16 / 0-40 |
| Kv value | m ³ /h 18,4 | |
| vacuum | leak rate | < 10 ⁻⁶ mbar·l/s ⁻¹ |
| pressure-vacuum | P ₁ ↔ P ₂ | upon request |
| back pressure | P ₂ > P ₁ | available (max. 16 bar) |
| media | gaseous - liquid - highly viscous - gelatinous - contaminated | |
| abrasive media | | upon request |
| damping | opening closing | available |
| flow direction | A ↔ B as marked | bi-directional (max. 16 bar) |
| switching cycles | 1/min 90 | |
| switching time | ms opening 520 closing 150 | |
| media temperature | °C DC: -20 to +100 AC: -20 to +100 | -40 to +160 -40 to +160 |
| ambient temperature | °C DC: -20 to +80 AC: -20 to +80 | |
| limit switches | | inductive / mech. (depend. on temperature) |
| manual override | | available |
| approvals | | LR/GL/WAZ |
| mounting | | mounting brackets |
| weight | kg MK 14,0 FK 18,0 | |
| additional equipment | | upon request |

⚠ The valves' technical design is based on media and application requirements. This can lead to deviations from the general specifications shown on the data sheet with regards to the design, sealing materials and characteristics.

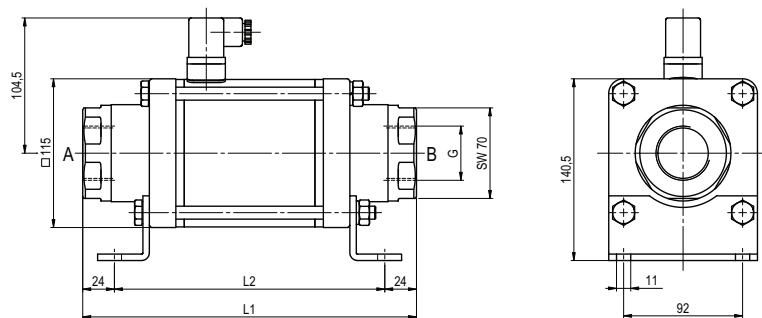
⚠ If order or application specifications are incomplete or imprecise there exists a risk of an incorrect technical design of the valve for the required application. As a consequence, the physical and / or chemical properties of the materials or seals used, may not be suitable for the intended application.

| electrical specifications | | options |
|--------------------------------------|--|---|
| nominal voltage | U _n DC 24 V U _n AC 230 V 40-60 Hz | special voltage upon request special voltage upon request |
| actuation | DC direct-current magnet AC direct-current magnet with integrated rectifier | above 100 °C with separate rectifier |
| insulating rating | H 180 °C | |
| protection | IP65 | |
| energized duty rating | ED 100% | |
| connection | plug acc. DIN EN 175301-803 form A, 4 positions x90° / wire diameter 6-8 mm | terminal box M16x1,5 |
| optional additional equipment | | illuminated plug with varistor |
| current consumption | N-coil DC 24 V 2,07 A AC 230 V 40-60 Hz 0,28 A | |
| explosion proof | | DC 24 V 3,27 A AC 230 V 40-60 Hz 0,44 A |
| limit switches | inductive (I) inductive (B) mechanical | normally open-PNP normally open-PNP single pole double throw-SPDT |

■ specifications not highlighted are standard
 ■ specifications highlighted in grey are optional

type MK 40

function: **NC**
closed when not energized



| constructive length | L1 | L2 | L3 |
|---|-----|-----|-----|
| standard | 258 | 210 | 324 |
| with 1/2 inductive limit switches | 299 | 251 | 365 |
| with manual emergency (Hd)/ Hd and 1/2 ind. limit switches | 299 | 251 | 365 |
| with mechanical limit switches | 299 | 251 | 365 |

| flanges PN | DIN | ØD | Øk | Ød |
|------------|-----------|-----|-----|----|
| 16 | EN 1092-1 | 150 | 110 | 18 |
| 40 | EN 1092-1 | 150 | 110 | 18 |
| 100 | EN 1092-1 | 170 | 125 | 22 |

type FK 40

function: **NO**
open when not energized

