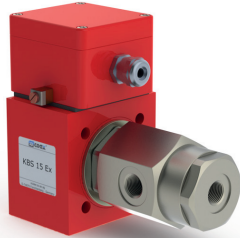


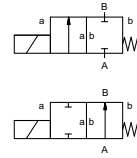
lateral valve


type **KBS 15 Ex**



2/2 way valve direct acting
pressure range PN 0-150 bar
orifice DN 1,5-3 mm
connection thread
function valve normally closed
 symbol **NC**

valve normally open
 symbol **NO**



 Above stated body materials refer to the valve port connections that get in contact with the media only!

design direct acting, with spring return

body materials ① brass ②
 ③ brass, nickel plated ⑤
 ④ ⑥ stainless steel

valve seat seal materials synthetic resin on metal
 NBR **FPM**

details needed

- orifice
- port
- function NC/NO
- operating pressure
- flow rate
- media
- media temperature
- ambient temperature
- nominal voltage

general specifications

options

ports	KBS	threads G 3/8	special threads
function	NC		NO
pressure range	bar	40 100 150	100 300 500
	DN	3 2 1,5	3 2 1,5
Kv value	l/min	5,2 1,3 1,1	5,2 1,3 1,1
vacuum	leak rate	< 10 ⁻⁶ mbar·l·s ⁻¹	
pressure-vacuum	P ₁ ⇔ P ₂	upon request	
back pressure	P ₂ > P ₁	upon request	
media	gaseous - liquid		
abrasive media			
damping	opening		
	closing		
flow direction	A ⇔ B	as marked	bi-directional upon request
switching cycles	1/min	120	300
switching time	ms	opening 250 closing 160	opening 120 closing 80
media temperature	°C	DC: -20 to +40 AC: -20 to +40	
ambient temperature	°C	DC: -20 to +40 AC: -20 to +40	
limit switches			
manual override			
approvals	WAZ		
mounting	mounting holes		
weight	kg	4,2	
additional equipment	upon request		

electrical specifications

options

nominal voltage	U _n	DC 24 V	special voltage
	U _n	AC 230 V 40-60 Hz	special voltage
actuation	DC	direct-current magnet	
	AC	direct-current magnet with separate rectifier outside of the explosion-proof area	sand sealed rectifier
insulating rating	H	180°C	
protection	IP65		
energized duty rating	ED	100%	
connection	M16x1,5	terminal box	


optional additional equipment


current consumption	U _n	V-DC 24 200	48 98 110 220
	I _n	A 1,20 0,15	0,68 0,30 0,28 0,14

explosion proof

II 2 G Ex mb e II T4 II 2 G Ex mb II T4
 II 2 D Ex tD A21 IP65 T130 °C
 PTB 02 ATEX 2120 X

limit switches

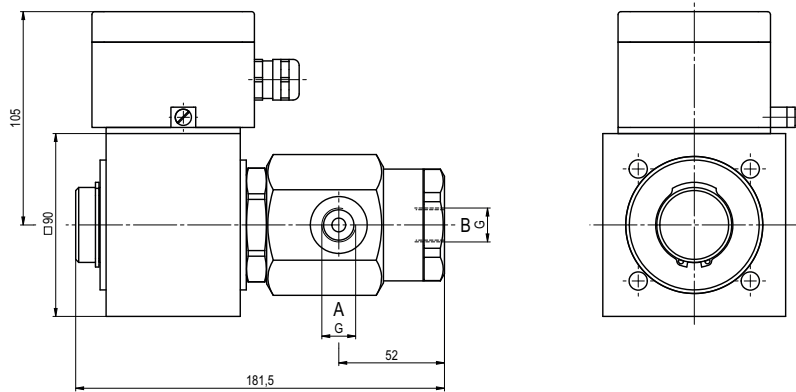
 The valves' technical design is based on media and application requirements. This can lead to deviations from the general specifications shown on the data sheet with regards to the design, sealing materials and characteristics.

 If order or application specifications are incomplete or imprecise there exists a risk of an incorrect technical design of the valve for the required application. As a consequence, the physical and / or chemical properties of the materials or seals used, may not be suitable for the intended application.

■ specifications not highlighted are standard
 ■ specifications highlighted in grey are optional

type **KBS 15 Ex**

function: **NC**
closed when not energized



type **KBS 15 Ex**

function: **NO**
open when not energized

