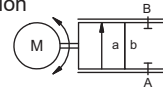



positioning valve

type **RMQ 10 PC**



control valve electro motorically controlled
pressure range PN 0-25 bar
orifice DN 1-10 mm
connection thread/cartridge
function stepless stroke regulation



 Above stated body materials refer to the valve port connections that get in contact with the media only!

design direct acting with integrated 3-point-regulation
body materials ① aluminium ③
 ① ④
 ② ⑥ stainless steel

valve seat synthetic resin on metal
seal materials PU, HNBR **FPM**

details needed

- orifice
- port
- operating pressure/Δp
- flow rate
- media
- media temperature
- ambient temperature
- nominal voltage
- control signal

general specifications


options


ports	RMQ	threads G 3/8
function		stepless stroke regulation
pressure range	bar	0-25
Kv value	DN	1 2 3 4 5 6 8 10
	l/min	0,8 1,8 3,5 5,7 9,0 15 26 45
back pressure	bar	max. 10
media		gaseous - liquid - highly viscous
abrasive media		
flow direction	A ⇒ B	as marked
switching cycles		
operating time	DN	1 2 3 4 5 6 8 10
closed - open	sec. ca.	3,5 5 5 7 8,5 12 16 7,5
media temperature	°C	0 to +80
ambient temperature	°C	max. +70
approvals		WAZ
mounting		mounting holes
weight	kg	2,8 3,4

electrical specifications

options

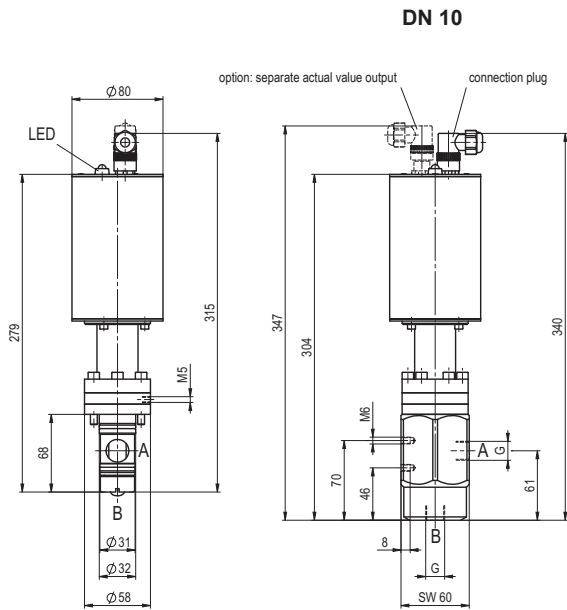
nominal voltage	U _n	DC 24 V
	U _n	AC 24 V
current consumption	DC	< 1,0 A
	AC	< 1,0 A
control signals	I _e	0-20 mA / 4-20 mA actual valve output
	U _e	0-10 V IA 4-20 mA
protection	IP65 (P54)	acc. DIN 40050
energized duty rating	ED	100 % (according to the manufacturer certifying)
connection	M12x1	concentric socket DIN 40040, 5poles / wire diameter 6-8 mm
additional equipment		internal separate actual valve output

 The valves' technical design is based on media and application requirements. This can lead to deviations from the general specifications shown on the data sheet with regards to the design, sealing materials and characteristics.

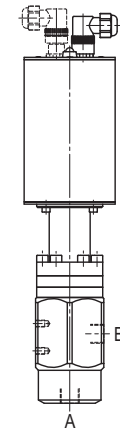
 If order or application specifications are incomplete or imprecise there exists a risk of an incorrect technical design of the valve for the required application. As a consequence, the physical and / or chemical properties of the materials or seals used, may not be suitable for the intended application.

■ specifications not highlighted are standard
 ■ specifications highlighted in grey are optional

type **RMQ 10 PC**

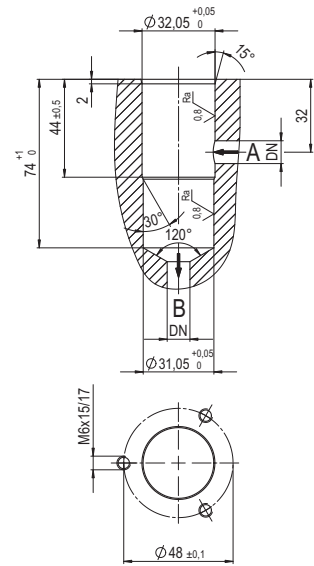


DN 1 - DN 8



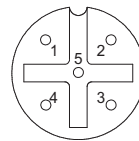
attention: connection changes to DN10-version.

drilling design for cartridge



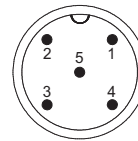
Mounting orientation can be vertical or horizontal, actuator cannot be installed facing down

connection plan / connection plug



- 1: nominal voltage
- 2: nominal voltage
- 3: control signal
- 4: ground (control signal)
- 5: earthing

option separate actual value output



- 1: actual value 4-20 mA (+)
- 2: actual value 4-20 mA (-)