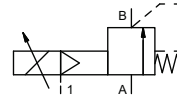


pressure reduction valve

type **SPP-1 15 PC**
SPP-2 15 PC



control valve proportional
pressure range PN 0-80 bar
orifice DN 15 mm
connection thread/cartridge
function stepless
pressure regulation
bypass version



Above stated body materials refer to the valve port connections that get in contact with the media only!

design externally controlled with spring return
body materials ① aluminium ④
① brass ⑤
③ ⑥ stainless steel
valve seat synthetic resin on metal / metal on metal
seal materials EPDM, PU, HNBR FPM

details needed for main valve

- orifice
- port
- pressure regulating range
- flow rate
- media
- media temperature
- ambient temperature

details needed for proportional valve

- nominal voltage
- actuation pressure range min/max

| | general specifications | options |
|----------------------------------|--|--|
| ports | SPP-1 with valve body thread G 1/2 - G 3/4 SPP-2 with valve body thread G 1/2 - G 3/4 | without valve body without valve body |
| function | stepless regulation | |
| pressure regulation range | bar SPP-1 5-40 SPP-2 5-80 | |
| flow rate | m ³ /h max. 6.0 | |
| media | gaseous - liquid - highly viscous - contaminated | |
| abrasive media | | version available |
| flow direction | A ⇌ B as marked | |
| settling time | ms < 200 | |
| media temperature | °C 0 to +60 | |
| ambient temperature | °C 0 to +50 | |
| approvals | | WAZ |
| mounting | | mounting holes |
| weight | kg SPP-1 4,2 SPP-2 4,5 | SPP-1 3,1 SPP-2 3,4 |
| additional equipment | | |

electrical specifications

| | |
|------------------------------|--|
| nominal voltage | U _B DC 24 V (max. residual ripple 10 %) |
| current consumption | DC < 0,7 A |
| control signals | U _E 0-10 V (R _E 10 KΩ) |
| protection | IP65 (P54) acc. DIN 40050 |
| energized duty rating | ED 100 % (observe the connection conditions accordingly) |
| connection | plug with 7 contacts / wire diameter 6-8 mm |

options

pneumatic specifications

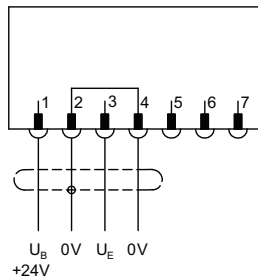
| | |
|---------------------------------|--|
| actuation pressure range | bar see actuation pressure-diagram |
| compressed air | DIN ISO 8573-1 grade of compressed air quality 5/4/3 |
| control | by 3/2 way proportional valve |
| actuator ports | 1 G 1/8 |

options

The valves' technical design is based on media and application requirements. This can lead to deviations from the general specifications shown on the data sheet with regards to the design, sealing materials and characteristics.

If order or application specifications are incomplete or imprecise there exists a risk of an incorrect technical design of the valve for the required application. As a consequence, the physical and / or chemical properties of the materials or seals used, may not be suitable for the intended application.

connection plan



connection conditions

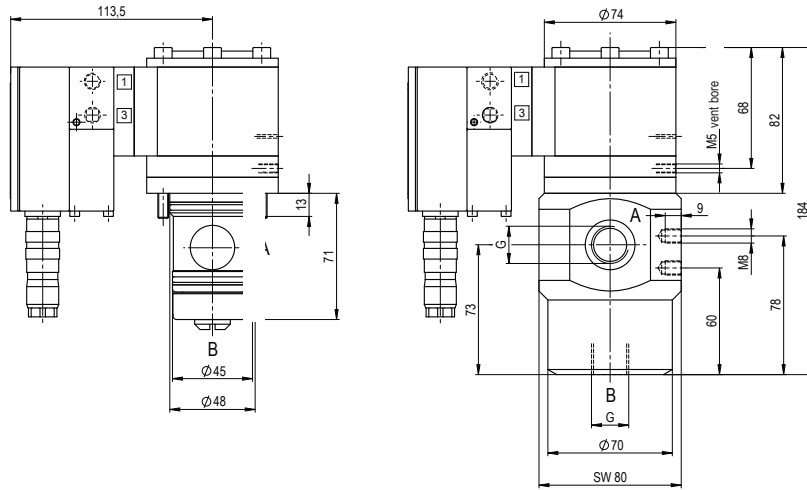
When supplying the electrical set point signal to the proportional valve, the actuating air must already be present. (see actuation pressure-diagram).

position of installation

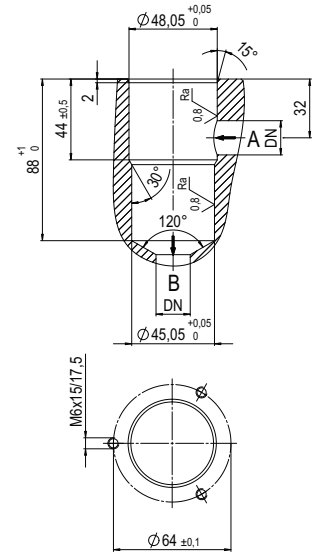
arbitrarily, but regulator not downwards.

■ specifications not highlighted are standard
■ specifications highlighted in grey are optional

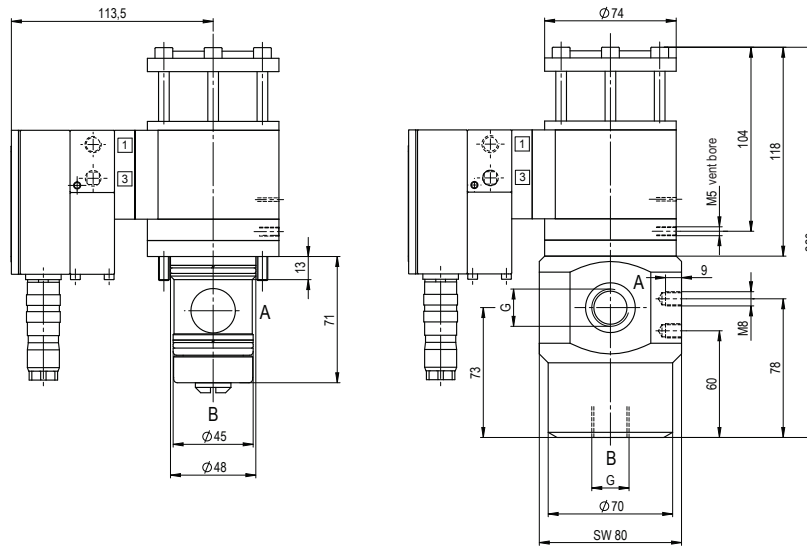
type SPP-1 15 PC



drilling design for cartridge



type SPP-2 15 PC



actuation pressure-diagram

