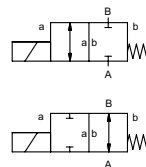


module

type VMK 10 - VMK 15



2/2 way valve externally controlled
pressure range PN 0-100 bar
orifice DN 10-15 mm
connection thread
function valve normally closed symbol **NC**
 valve normally open symbol **NO**



⚠ Above stated body materials refer to the valve port connections that get in contact with the media only!

details needed

- orifice
- port
- function NC/NO
- operating pressure
- flow rate
- media
- media temperature

general specifications

	VMK 10	VMK 15	
type	VMK 10	VMK 15	
port thread valve	G 1/4 - 3/4	G 3/8 - 3/4	
port thread module	G 1	G 1	
function	NC / NO	NC / NO	
pressure range	bar 0-16 / 40 / 64 / 100	bar 0-16 / 40 / 64 / 100	
orifice	DN 10	DN 15	
media	gaseous - liquid - highly viscous - gelatinous - pasty - contaminated		
media temperature	°C -20 bis +160	°C -20 bis +160	
switching time	ms opening 30-3000 closing 30-3000	ms opening 50-3000 closing 50-3000	
body materials valve	① brass ② aluminium	① brass ② aluminium ③ steel, galvanized ④ brass, nickel plated ⑤ steel, nickel plated	
body materials module	⑥ stainless steel ⑦ aluminium ⑧ stainless steel	⑥ stainless steel ⑦ aluminium ⑧ stainless steel	
seal materials	NBR, PTFE, FPM, CR, EPDM		
valve seat	synthetic resin on metal		
design	pressure balanced with spring return		

⚠ The valves' technical design is based on media and application requirements. This can lead to deviations from the general specifications shown on the data sheet with regards to the design, sealing materials and characteristics.

⚠ If order or application specifications are incomplete or imprecise there exists a risk of an incorrect technical design of the valve for the required application. As a consequence, the physical and / or chemical properties of the materials or seals used, may not be suitable for the intended application.

■ specifications not highlighted are standard
 ■ specifications highlighted in grey are optional

type module VMK 10 - VMK 15

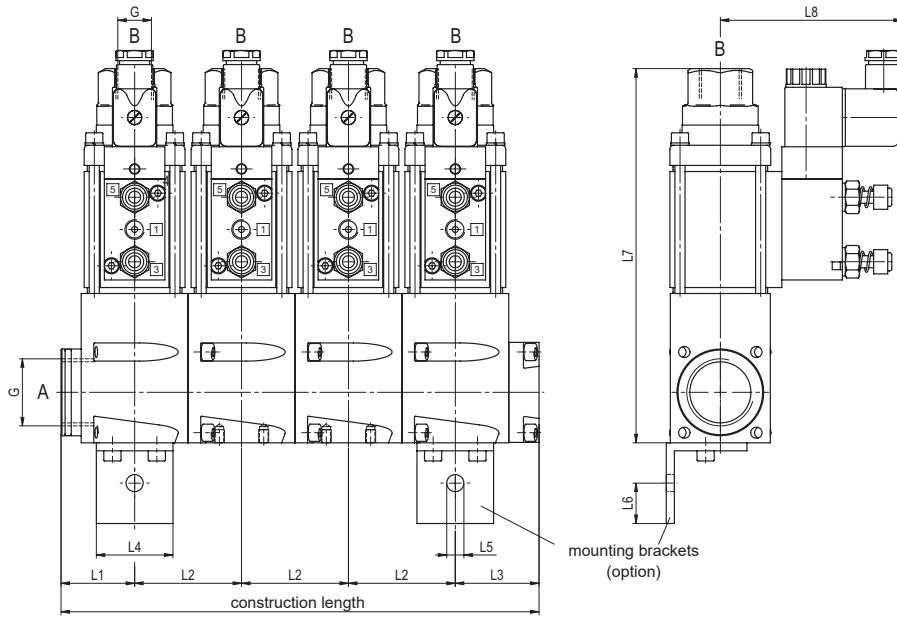
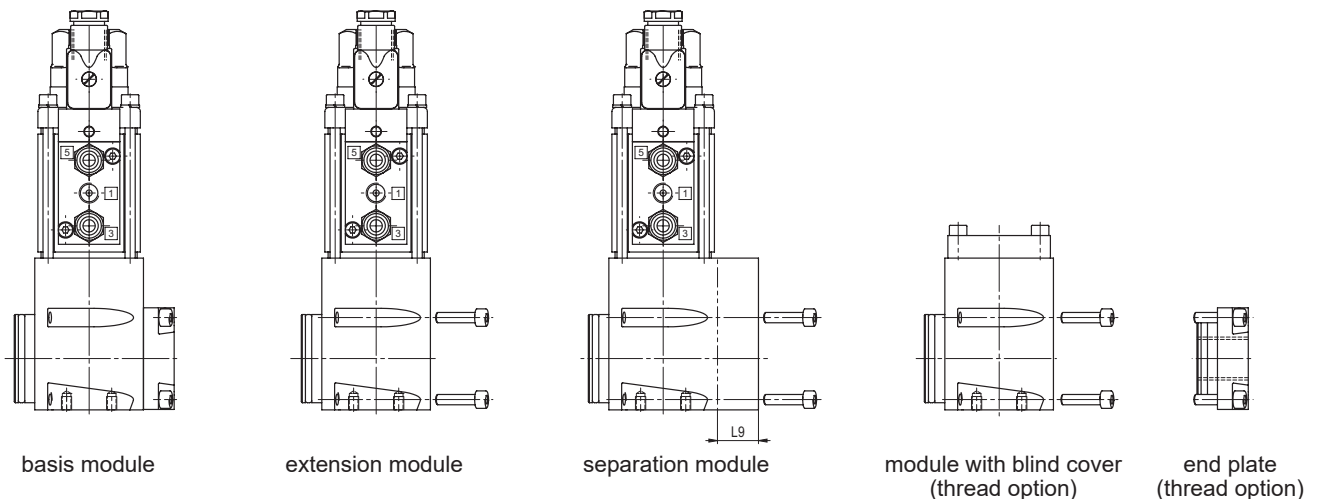


chart with dimensions

type	L1	L2	L3	L4	L5	L6	L7	L8	L9
VMK 10	36,5	53	38,5	38	∅8,5	20	186	90	20
VMK 15	46	72	64	52	∅9	30	249	62	20

chart with overall length

type	1-station	2-station	3-station	4-station	5-station	6-station	7-station	8-station
VMK 10	75	128	181	234	287	340	393	446
VMK 15	110	182	254	326	398	470	542	614



The application-specific layout relating to temperature, pressure conditions, switching behavior, media and its consistency may restrict the range of use or necessitate relevant modifications to materials used and seal arrangements.
 Rights reserved to make technical alterations • Not responsible for printing errors • Detailed drawings can be obtained upon request