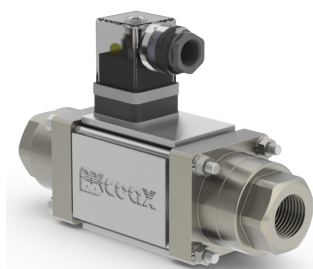
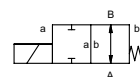
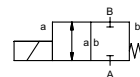


coaxial valve

type **MK 10** - 64 bar
MK 10 - 100 bar



2/2 way valve **direct acting**
pressure range PN 0-64 / 0-100 bar
orifice DN 10 / 8 mm
connection thread
function valve normally closed
symbol **NC**
valve normally open
symbol **NO**



⚠ Above stated body materials refer to the valve port connections that get in contact with the media only!

design pressure balanced, with spring return

body materials ① brass ②
③ ⑤
④ ⑥

valve seat seal materials synthetic resin on metal
NBR

PTFE, FPM, EPDM

details needed

- orifice
- port
- function NC/NO
- operating pressure
- flow rate
- media
- media temperature
- ambient temperature
- nominal voltage

general specifications

options

ports	MK	threads G 1/4 - G 3/4	special threads
function		NC	NO
pressure range	bar	0-64 0-100	
Kv value	m³/h	2,3 1,6	
vacuum	leak rate		< 10 ⁻⁴ mbar•l•s ⁻¹
pressure-vacuum	P ₁ ⇄ P ₂		upon request
back pressure	P ₂ > P ₁		available (max. 16 bar)
media		gaseous - liquid - contaminated	
abrasive media			
damping	opening		
	closing		
flow direction	A ⇄ B	as marked	bi-directional (max. 16 bar)
switching cycles	1/min	200	
switching time	ms	opening 135 closing 20	
media temperature	°C	DC: -10 to +100 AC: -10 to +100	-30 to +120 -30 to +120
ambient temperature	°C	DC: -10 to +80 AC: -10 to +80	
limit switches			upon request
manual override			
approvals			LR/GL/WAZ
mounting			mounting brackets
weight	kg	MK 2,2	
additional equipment			upon request

electrical specifications

options

nominal voltage	U _n	DC 24 V AC 230 V 40-60 Hz	special voltage upon request special voltage upon request
actuation	DC	direct-current magnet	
	AC	direct-current magnet with integrated rectifier	
insulating rating	H	180°C	
protection	IP65		
energized duty rating	ED	100%	
connection		plug acc. DIN EN 175301-803 form A, 4 positions x90° / wire diameter 6-8 mm	terminal box M16x1,5
optional additional equipment	M12x1	connector acc. DESINA illuminated plug with varistor	connector acc. VDMA
current consumption	N-coil	DC 24 V 1,33 A AC 230 V 40-60 Hz 0,14 A	
explosion proof			
limit switches			

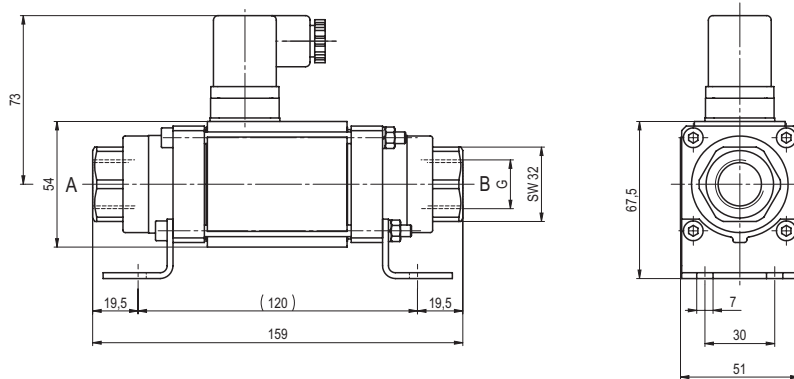
⚠ The valves' technical design is based on media and application requirements. This can lead to deviations from the general specifications shown on the data sheet with regards to the design, sealing materials and characteristics.

⚠ If order or application specifications are incomplete or imprecise there exists a risk of an incorrect technical design of the valve for the required application. As a consequence, the physical and / or chemical properties of the materials or seals used, may not be suitable for the intended application.

■ specifications not highlighted are standard
■ specifications highlighted in grey are optional

type **MK 10** - 64 bar

function: **NC**
closed when not energized



type **MK 10** - 100 bar

function: **NO**
open when not energized

