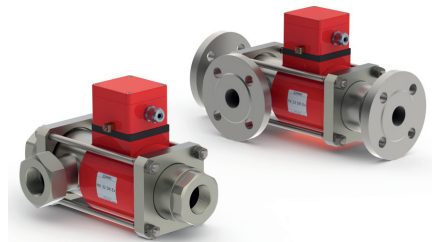


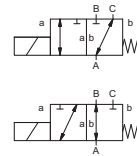
coaxial valve

type MK 32 DR Ex FK 32 DR Ex



3/2 way valve direct acting
pressure range PN 0-40 bar
orifice DN 32 mm
connection thread/flange
function valve normally closed (A ► B)
 symbol **NC**

valve normally open (A ► B)
 symbol **NO**



Above stated body materials refer to the valve port connections that get in contact with the media only!

design pressure balanced, with spring return, intersecting switch-over

body materials ① ② steel galvanized
 ③ ⑤ without non-ferr. Metals
 ④ steel, nickel plated ⑥ stainless steel

valve seat synthetic resin on metal
seal materials NBR PTFE, FPM, CR, EPDM

details needed

- orifice
- port
- function NC/NO
- operating pressure
- inlet pressure at A, B or C
- flow rate
- media
- media temperature
- ambient temperature
- nominal voltage

general specifications

options

ports	MK threads G 1 1/4 - G 1 1/2	special threads
	FK flanges PN 16 / 40	special flanges
function	NC	NO
pressure range	bar 0-16 / 0-40	
	A ⇒ B max. 40 / B ⇒ A max. 16 / A ⇒ C max. 40 / C ⇒ A max. 16	
Kv value	m ³ /h 14,1 [A ⇒ B] 8,9 [A ⇒ C]	
vacuum	leak rate	< 10 ⁻⁶ mbar·l·s ⁻¹
pressure-vacuum	P ₁ ⇔ P ₂	upon request
back pressure	P ₂ > P ₁	see pressure range
media	gaseous - liquid - highly viscous - gelatinous - contaminated	
abrasive media		upon request
damping	opening closing	
flow direction	see pressure range	
switching cycles	1/min 120	
switching time	ms opening 440 closing 250	
media temperature	°C DC: -20 to +40 AC: -20 to +40	
ambient temperature	°C DC: -20 to +40 AC: -20 to +40	
limit switches		inductive available
manual override		LR/GL/WAZ
approvals		mounting brackets
mounting		
weight	kg MK 18,0 FK 22,0	
additional equipment		upon request

electrical specifications

options

nominal voltage	U _n DC 24 V AC 230 V 40-60 Hz	special voltage upon request
actuation	DC direct-current magnet	special voltage upon request
	AC direct-current magnet with separate rectifier outside of the explosion-proof area	sand sealed rectifier
insulating rating	H 180°C	
protection	IP65	
energized duty rating	ED 100%	
connection	M16x1,5 terminal box	

optional additional equipment

current consumption	U _n V-DC 24 200	20 48 98 110 210 220 230
	I _n A 2,05 0,29	2,72 1,07 0,54 0,48 0,25 0,25 0,21

explosion proof

II 2 G Ex mb e II T4
 II 2 D Ex tD A21 IP65 T130 °C
 PTB 03 ATEX 2051 X

limit switches

inductive NAMUR circuit amplifier

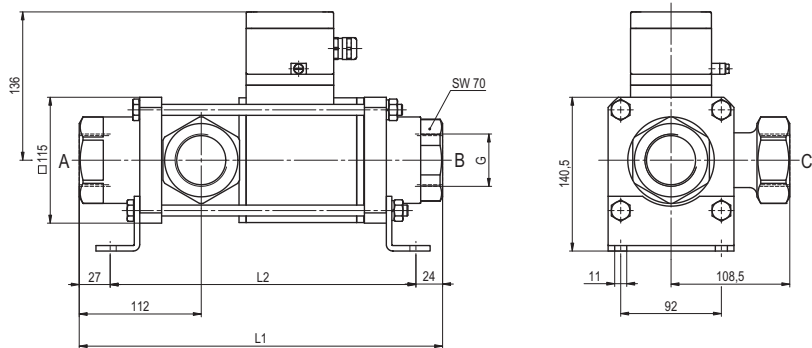
The valves' technical design is based on media and application requirements. This can lead to deviations from the general specifications shown on the data sheet with regards to the design, sealing materials and characteristics.

If order or application specifications are incomplete or imprecise there exists a risk of an incorrect technical design of the valve for the required application. As a consequence, the physical and / or chemical properties of the materials or seals used, may not be suitable for the intended application.

■ specifications not highlighted are standard
 ■ specifications highlighted in grey are optional

type MK 32 DR Ex

function: **NC**
closed when not energized (A ► B)



constructive length	L1	L2	L3
standard	332	281	394
with inductive limit switches	373	322	435
with manual override / inductive limit switches	373	322	435

flanges PN	DIN	ØD	Øk	Ød
16	EN 1092-1	140	100	18
40	EN 1092-2	140	100	18

type FK 32 DR Ex

function: **NO**
open when not energized (A ► B)

