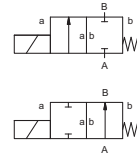


# lateral valve type **KBS 15**



**2/2 way valve** direct acting  
**pressure range** PN 0-500 bar  
**orifice** DN 1,5-3 mm  
**connection** thread  
**function** valve normally closed  
 symbol **NC**  
 valve normally open  
 symbol **NO**



Above stated body materials refer to the valve port connections that get in contact with the media only!

**design** pressure balanced, with spring return  
**body materials** ① brass ②  
 ③ brass, nickel plated ⑤  
 ④ ⑥ stainless steel

**valve seat seal materials** synthetic resin on metal  
 NBR **FPM**

**details needed**

- orifice
- port
- function NC/NO
- operating pressure
- flow rate
- media
- media temperature
- ambient temperature
- nominal voltage

**general specifications**

**options**

<b>ports</b>	KBS	threads G 3/8	special threads
<b>function</b>	NC		NO
<b>pressure range</b>	bar	250   400   500	100   300   500
	DN	3   2   1,5	3   2   1,5
<b>Kv value</b>	l/min	5,2   1,3   1,1	5,2   1,3   1,1
<b>vacuum</b>	leak rate	< 10 <sup>-6</sup> mbar·l·s <sup>-1</sup>	
<b>pressure-vacuum</b>	P <sub>1</sub> ⇔ P <sub>2</sub>	upon request	
<b>back pressure</b>	P <sub>2</sub> > P <sub>1</sub>	upon request	
<b>media</b>	gaseous - liquid		
<b>abrasive media</b>			
<b>damping</b>	opening		
	closing		
<b>flow direction</b>	A ⇔ B	as marked	bi-directional upon request
<b>switching cycles</b>	1/min	270	
<b>switching time</b>	ms	opening 60	closing 160
<b>media temperature</b>	°C	DC: -20 to +100 AC: -20 to +100	
<b>ambient temperature</b>	°C	DC: -20 to +80 AC: -20 to +80	
<b>limit switches</b>			
<b>manual override</b>			
<b>approvals</b>	WAZ		
<b>mounting</b>	mounting holes		
<b>weight</b>	kg	4,2	
<b>additional equipment</b>	upon request		

**electrical specifications**

**options**

<b>nominal voltage</b>	U <sub>n</sub>	DC 24 V	special voltage upon request
	U <sub>n</sub>	AC 230 V 40-60 Hz	special voltage upon request
<b>actuation</b>	DC	direct-current magnet	
	AC	direct-current magnet with integrated rectifier	
<b>insulating rating</b>	H	180°C	
<b>protection</b>	IP65		
<b>energized duty rating</b>	ED	100%	
<b>connection</b>		plug acc. DIN EN 175301-803 form A, 4 positions x90° / wire diameter 6-8 mm	terminal box M16x1,5
<b>optional</b>	M12x1	connector acc. DESINA	connector acc. VDMA
<b>additional equipment</b>			
<b>current consumption</b>		DC 24 V 2,30 A	AC 230 V 40-60 Hz 0,24 A
<b>explosion proof</b>			
<b>limit switches</b>			

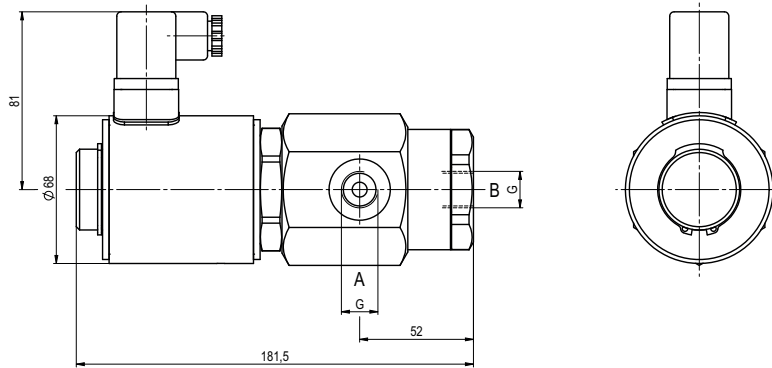
The valves' technical design is based on media and application requirements. This can lead to deviations from the general specifications shown on the data sheet with regards to the design, sealing materials and characteristics.

If order or application specifications are incomplete or imprecise there exists a risk of an incorrect technical design of the valve for the required application. As a consequence, the physical and / or chemical properties of the materials or seals used, may not be suitable for the intended application.

■ specifications not highlighted are standard  
 ■ specifications highlighted in grey are optional

type **KBS 15**

function: **NC**  
closed when not energized



type **KBS 15**

function: **NO**  
open when not energized

