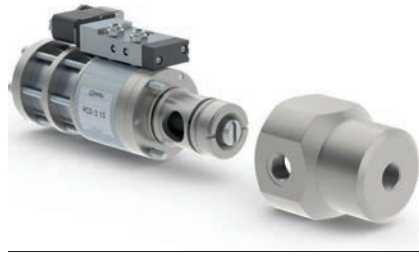


# lateral valve

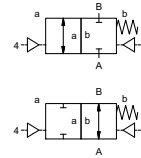
## type PCD-3 15

### 5-PCD-3 15

valve type with pilot valve



**2/2 way valve** externally controlled  
**pressure range** PN 0-200 bar  
**orifice** DN 15 mm  
**connection** thread/cartridge  
**function** valve normally closed  
 symbol **NC**  
 valve normally open  
 symbol **NO**



Above stated body materials refer to the valve port connections that get in contact with the media only!

**design** externally controlled with spring return  
**body materials** ① aluminium ③  
 ① brass ④  
 ② stainless steel ⑥

**valve seat seal materials** synthetic resin on metal metal on metal  
 PU, NBR PTFE, PE, FPM, EPDM

**details needed for main valve**

- orifice
- port
- function NC/NO
- operating pressure/Δp
- flow rate
- media
- media temperature
- ambient temperature
- type of actuation

**details needed for pneumatic actuation**

- nominal voltage
- type of protection
- actuation pressure range min/max
- low wattage coil, actuation pressure range 4-7 bar
- pilot valve type

**details needed for hydraulic actuation**

- actuation pressure range min/max
- hydraulic control valve function

The valves' technical design is based on media and application requirements. This can lead to deviations from the general specifications shown on the data sheet with regards to the design, sealing materials and characteristics.

If order or application specifications are incomplete or imprecise there exists a risk of an incorrect technical design of the valve for the required application. As a consequence, the physical and / or chemical properties of the materials or seals used, may not be suitable for the intended application.

■ specifications not highlighted are standard  
 ■ specifications highlighted in grey are optional

**general specifications**

ports	PCD-3	without valve body	with valve body thread G 1/2 - G 3/4
function	NC		NO
pressure range	bar	0-150 (0-200 see pressure diagram)	NO (see pressure diagram)
Kv value	m³/h	6,0	
vacuum			< 10 <sup>-6</sup> mbar·l·s <sup>-1</sup>
pressure-vacuum	P <sub>1</sub> ↔ P <sub>2</sub>		upon request
back pressure	P <sub>2</sub> > P <sub>1</sub>		upon request
media		gaseous - liquid - highly viscous - gelatinous - pasty	
abrasive media			
damping	opening	by throttles on pilot valve	
	closing		
flow direction	A ↔ B	as marked	bi-directional upon request
switching cycles	1/min	300	
switching time	ms	opening 100-3000	
		closing 100-3000	
media temperature	°C	direct mounted pilot valve 60	remote mounted pilot valve outside
ambient temperature	°C	direct mounted pilot valve 50	temperatur range of media max. 150 °C
flush ports			
leak ports			available
limit switches			inductive
manual override		via pilot valve	
approvals			WAZ
mounting			mounting holes on valve body 2 x M8
weight	kg	PCD-3 2,4	PCD-3 3,5
additional equipment			valve body

**electrical specifications**

nominal voltage	U <sub>n</sub>	DC 24 V	special voltage upon request
	U <sub>n</sub>	AC 230 V 50 Hz	special voltage upon request
power consumption	DC	4,8 W	2,5 W
	AC	pick up 11,0 VA holding 8,5 VA	
protection	IP65 (P54)	acc. DIN 40050	
energized duty rating	ED	100%	
connection		plug acc. DIN EN 175301-803 form B, 4 positions x90° / wire diameter 6-8 mm	
optional	M12x1	connector acc. DESINA	connector acc. VDMA
additional equipment		illuminated plug with varistor	
media		60°C	
ambient		50°C	
explosion proof	E Ex e II T5	nominal voltage U <sub>n</sub>	DC 24 V 3,25 W
		power consumption	AC 230 V 50 Hz 2,90 W

**pneumatic specifications**

actuation pressure range	bar	4-10	
air consumption	cm³/stroke	PCD-3 58	
cycle speed		main valve speed variable by throttleson pilot valve	
control		preferably 5/2 way pilot valve	
pilot valve interface			
actuator ports	2/4	G 1/8	

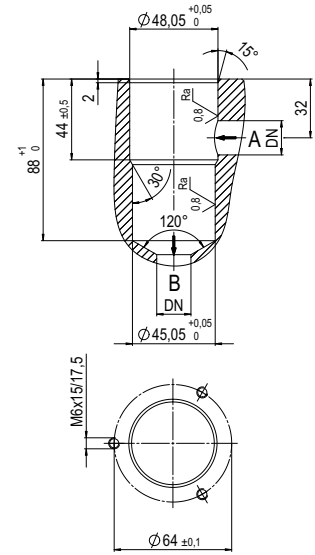
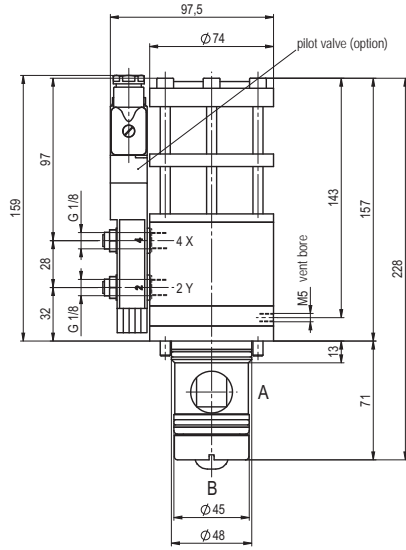
**hydraulic specifications**

actuation pressure range	bar	10-30	> 30 bar upon request
control		preferably 4/2 way control valve	
actuator ports	X/Y	G 1/4 via adapter	NPT 1/4 via adapter
by media			

# type PCD-3 15

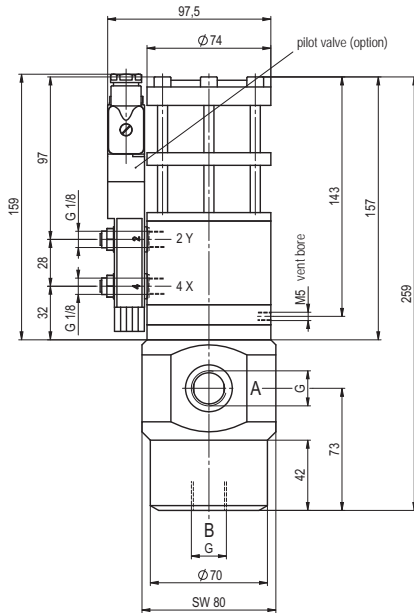
function: **NC**  
closed when not energized

## drilling design for cartridge

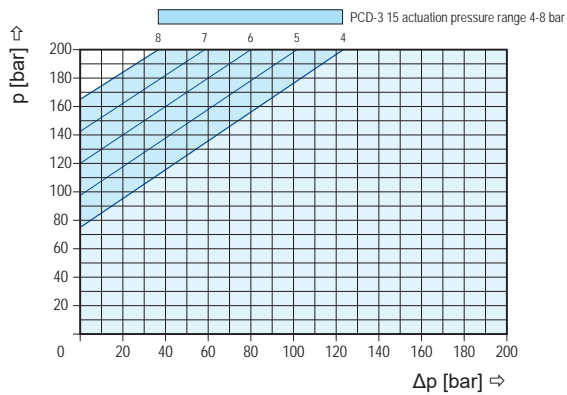


# type PCD-3 15

function: **NO**  
open when not energized



## pressure-diagram



## pneumatic specifications

