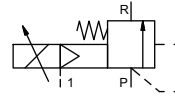


pressure limitation valve

type **SPB 65**



control valve proportional
pressure range PN 0-64 bar
orifice DN 65 mm
connection flange
function stepless
 pressure regulation
 bypass version



Above stated body materials refer to the valve port connections that get in contact with the media only!

design externally controlled with spring return
body materials ① ④
 ② steel, galvanized ⑤
 ③ ⑥
valve seat metal on metal
seal materials NBR **FPM**

details needed for main valve

- orifice
- port
- pressure regulating range
- flow rate
- media
- media temperature
- ambient temperature

details needed for proportional valve

- nominal voltage
- actuation pressure range min/max

general specifications

ports	SPB	flanges PN 64
function	stepless regulation	
pressure regulation range	bar	5-64
flow rate	m ³ /h	max. 60
media	liquid - highly viscous - contaminated	
abrasive media		
flow direction	P ⇌ R	as marked
settling time	ms	< 400
media temperature	°C	0 to +60
ambient temperature	°C	0 to +50
approvals		
mounting		
weight	kg	42,6
additional equipment		

options

electrical specifications

nominal voltage	U _B	DC 24 V (max. residual ripple 10 %)
current consumption	DC	< 0,7 A
control signals	U _E	0-10 V (R _E 10 KΩ)
protection	IP65 (P54)	acc. DIN 40050
energized duty rating	ED	100 % (observe the connection conditions accordingly)
connection	plug with 7 contacts / wire diameter 6-8 mm	

options

pneumatic specifications

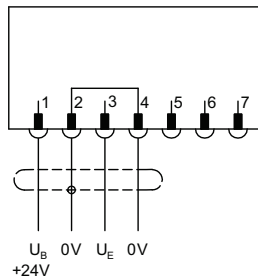
actuation pressure range	bar	see actuation pressure-diagram
compressed air	DIN ISO 8573-1 grade of compressed air quality 5/4/3	
control	by 3/2 way proportional valve	
actuator ports	1	G 1/8

options

The valves' technical design is based on media and application requirements. This can lead to deviations from the general specifications shown on the data sheet with regards to the design, sealing materials and characteristics.

If order or application specifications are incomplete or imprecise there exists a risk of an incorrect technical design of the valve for the required application. As a consequence, the physical and / or chemical properties of the materials or seals used, may not be suitable for the intended application.

connection plan



connection conditions

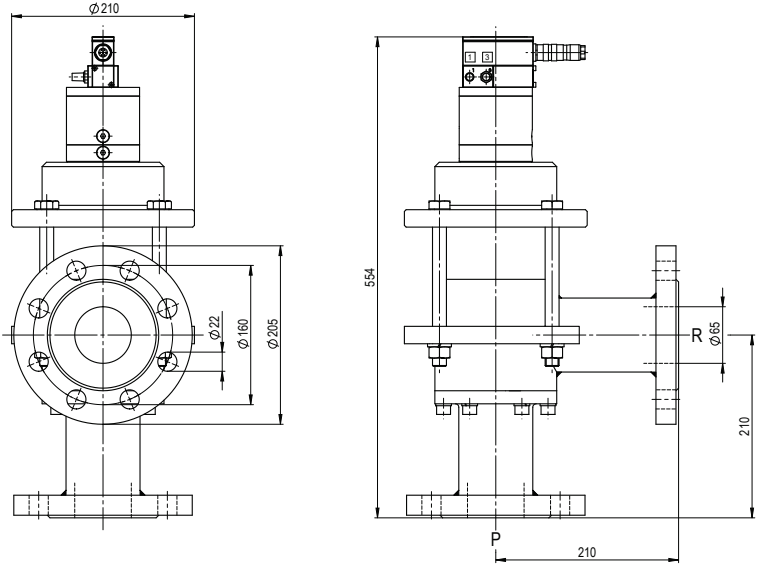
When supplying the electrical set point signal to the proportional valve, the actuating air must already be present. (see actuation pressure-diagram).

position of installation

arbitrarily, but regulator not downwards.

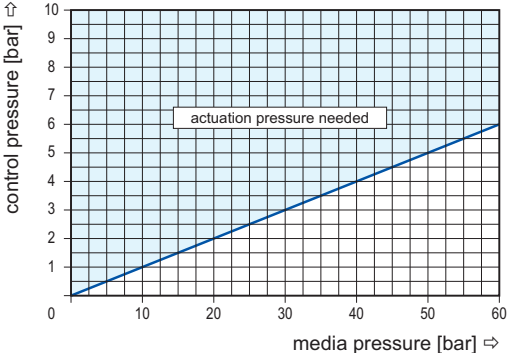
■ specifications not highlighted are standard
 ■ specifications highlighted in grey are optional

type SPB 65



position of installation: as shown

actuation pressure-diagram



pressureless circulation mode

