

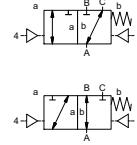
5-VMK-H 20 DR
5-VFK-H 20 DR

valve type with pilot valve

coaxial valve
type **VMK-H 20 DR**
VFK-H 20 DR



3/2 way valve externally controlled
pressure range PN 0-200 bar
orifice DN 20 mm
connection thread/flange
function valve normally closed (A ► B)
symbol **NC**
valve normally open (A ► B)
symbol **NO**



△ Above stated body materials refer to the valve port connections that get in contact with the media only!

design pressure balanced, with spring return, switching overlap
body materials ① ② steel, galvanized
③ ⑤ without non-ferr. metals
④ steel, nickel plated ⑥ stainless steel
valve seat synthetic resin on metal
seal materials NBR PTFE, FPM, CR, EPDM

details needed for main valve

- orifice
- port
- function NC/NO
- operating pressure
- inlet pressure at A, B or C
- flow rate
- media
- media temperature
- ambient temperature
- type of actuation

details needed for pneumatic actuation

- nominal voltage
- type of protection
- actuation pressure range min/max
- low wattage coil, actuation pressure range 4-7 bar
- pilot valve type

details needed for hydraulic actuation

- actuation pressure range min/max
- hydraulic control valve function

⚠ The valves' technical design is based on media and application requirements. This can lead to deviations from the general specifications shown on the data sheet with regards to the design, sealing materials and characteristics.

⚠ If order or application specifications are incomplete or imprecise there exists a risk of an incorrect technical design of the valve for the required application. As a consequence, the physical and / or chemical properties of the materials or seals used, may not be suitable for the intended application.

general specifications		options
ports	VMK-H threads G 3/4 VFK-H flanges PN 160 /250	special threads special flanges
function	NC	NO
pressure range	bar 0-200 A ⇒ B max. 200 / B ⇒ A max. 100 / A ⇒ C max. 200 / C ⇒ A max. 200	
Kv value	m ³ /h 7,6	
vacuum	leak rate < 10 ⁻⁶ mbar·l·s ⁻¹	
pressure-vacuum	P ₁ ⇔ P ₂	pressure side max. 200 bar vacuum side leak rate upon request
back pressure	P ₂ > P ₁ see pressure range	
media	gaseous - liquid - highly viscous - gelatinous - pasty - contaminated	
abrasive media		version available
damping	opening by throttles on pilot valve closing see pressure range	
flow direction	see pressure range	
switching cycles	1/min 200	
switching time	ms opening 50-3000 closing 50-3000	
media temperature	°C direct mounted pilot valve 60	remote mounted pilot valve outside temper-
ambient temperature	°C direct mounted pilot valve 50	ature range of media max. 160 °C
flush ports		available
leak ports		available
limit switches		inductive / mechanical upon request
manual override	via pilot valve	
approvals		LR/GL/WAZ
mounting		mounting brackets
weight	kg VMK-H 7,8 VFK-H 9,2	
additional equipment		upon request

electrical specifications		options
nominal voltage	U _n DC 24 V U _n AC 230 V 50 Hz	special voltage upon request special voltage upon request
power consumption	DC 4,8 W AC pick up 11,0 VA holding 8,5 VA	2,5 W
protection	IP65 (P54) acc. DIN 40050	
energized duty rating	ED 100%	
connection	plug acc. DIN EN 175301-803 form B, 4 positions x90° / wire diameter 6-8 mm	
optional	M12x1 connector acc. DESINA	connector acc. VDMA
additional equipment	illuminated plug with varistor	
max. temperature	media 60°C ambient 50°C	
explosion proof	E Ex e II T5 nominal voltage U _n power consumption	DC 24 V 3,25 W AC 230 V 50 Hz 2,90 W

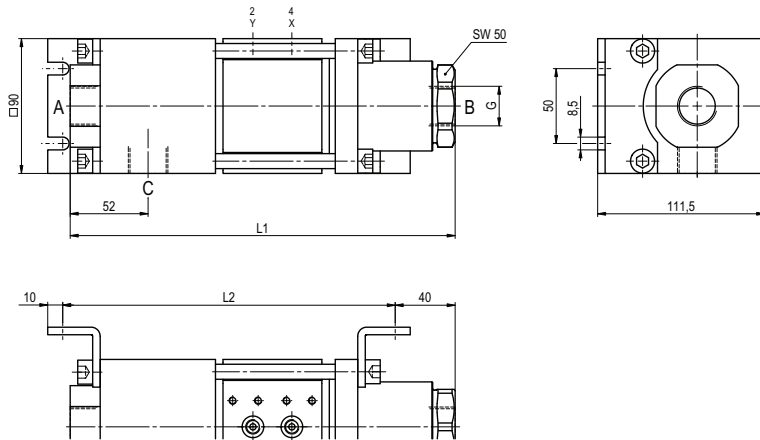
pneumatic specifications		options
actuation pressure range	bar 4-10	
air consumption	cm ³ /stroke 24	
cycle speed	main valve speed variable by throttleson pilot valve	
control	preferably 5/2 way pilot valve	
pilot valve interface	co-ax / NAMUR	ISO 1
actuator ports	2/4 G 1/8	G 1/4

hydraulic specifications		options
actuation pressure range	bar 10-30 / 30-60	
control	preferably 4/2 way control valve	
actuator ports	X/Y G 1/4	NPT 1/4
by media		

■ specifications not highlighted are standard
■ specifications highlighted in grey are optional

type VMK-H 20 DR

function: **NC**
closed when not energized (A ► B)

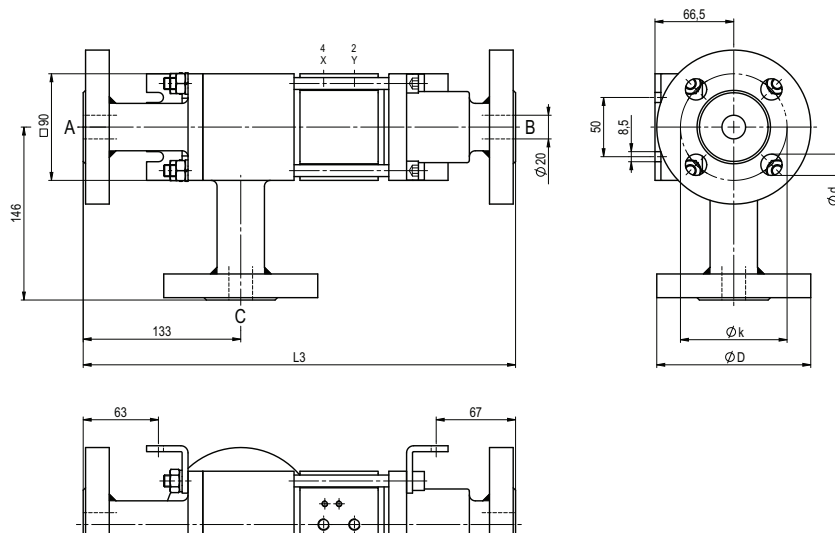


constructive length	L1	L2	L3
standard	257	222	365
with 1/2 inductive limit switches	287	252	395
with force-feed lubrication nipple	287	252	395
with mechanical limit switches	-	-	-

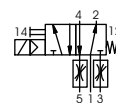
flanges PN	DIN	ØD	Øk	Ød
160	EN 1092-1	130	90	18
250	EN 1092-1	135	95	18

type VFK-H 20 DR

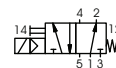
function: **NO**
open when not energized (A ► B)



pneumatic actuation



5/2 way pilot valve
flow rate 700 l/min
pressure range 3-10 bar G 1/8



5/2 way pilot valve ISO 1
flow rate 700 l/min
pressure range 3-10 bar G 1/4